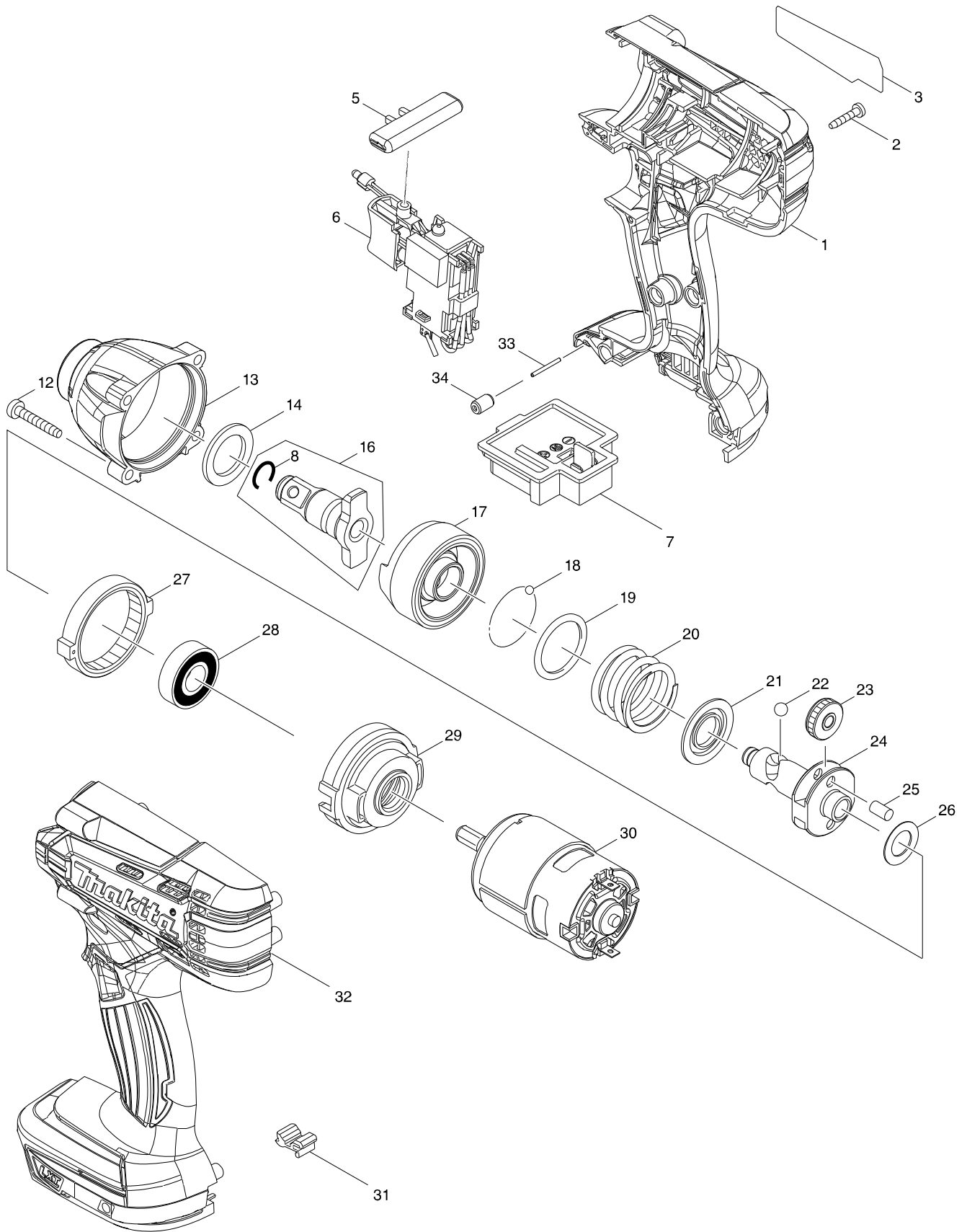


Model No. DTW190 CORDLESS IMPACT WRENCH



Model No. DTW190 CORDLESS IMPACT WRENCH

Item	Parts No.	Description	I/C	QTY	N/O	Opt. 1	Opt. 2	NOTE
001A	183D73-3	HOUSING SET		1	*			
C10	263005-3	RUBBER PIN 6		2	*			
C20	252126-6	HEX. LOCKING NUT M4-7		2	*			
D10		INC. 32			*			
001B	183D73-3	HOUSING SET		1	*			
C10	263005-3	RUBBER PIN 6		2	*			
C20	252126-6	HEX. LOCKING NUT M4-7		2	*			
D10		INC. 32			*			
001C	183D73-3	HOUSING SET		1	*			
C10	263005-3	RUBBER PIN 6		2	*			
C20	252126-6	HEX. LOCKING NUT M4-7		2	*			
D10		INC. 32			*			
001D	183D73-3	HOUSING SET		1	*			
C10	263005-3	RUBBER PIN 6		2	*			
C20	252126-6	HEX. LOCKING NUT M4-7		2	*			
D10		INC. 32			*			
001-1A	183D73-3	HOUSING SET	<	1				
C10	263005-3	RUBBER PIN 6		2				
C20	252126-6	HEX. LOCKING NUT M4-7		2				
D10		INC. 32						
001-1B	183D73-3	HOUSING SET	<	1				
C10	263005-3	RUBBER PIN 6		2				
C20	252126-6	HEX. LOCKING NUT M4-7		2				
D10		INC. 32						
001-1C	183D73-3	HOUSING SET	<	1				
C10	263005-3	RUBBER PIN 6		2				
C20	252126-6	HEX. LOCKING NUT M4-7		2				
D10		INC. 32						
001-1D	183D73-3	HOUSING SET	<	1				
C10	263005-3	RUBBER PIN 6		2				
C20	252126-6	HEX. LOCKING NUT M4-7		2				
D10		INC. 32						
001-1E	183D73-3	HOUSING SET		1				
C10	263005-3	RUBBER PIN 6		2				
C20	252126-6	HEX. LOCKING NUT M4-7		2				
D10		INC. 32						
001-1F	183D73-3	HOUSING SET		1				
C10	263005-3	RUBBER PIN 6		2				
C20	252126-6	HEX. LOCKING NUT M4-7		2				
D10		INC. 32						
002	266429-2	TAPPING SCREW 3X16		8				
003	851W90-2	DTW190 NAME PLATE		1				
005	452399-3	F/R CHANGE LEVER		1				
006A	632G35-1	SWITCH UNIT		1	*			
006B	632G35-1	SWITCH UNIT		1	*			
006C	632G35-1	SWITCH UNIT		1	*			
006D	632G35-1	SWITCH UNIT		1	*			
006-1A	632J82-0	SWITCH UNIT	<	1				

Model No. DTW190 CORDLESS IMPACT WRENCH

Item	Parts No.	Description	I/C	QTY	N/O	Opt. 1	Opt. 2	NOTE
006-1B	632J82-0	SWITCH UNIT	<	1				
006-1C	632J82-0	SWITCH UNIT	<	1				
006-1D	632J82-0	SWITCH UNIT	<	1				
006-1E	632J82-0	SWITCH UNIT		1				
006-1F	632J82-0	SWITCH UNIT		1				
007	643852-2	TERMINAL		1				
008	231907-1	RING SPRING 10		1				
012	266374-1	TAPPING SCREW 4X25		4				
013	143646-0	HAMMER CASE COMPLETE		1				
C10	213214-4	O RING 16		1	*			
C11	213207-1	O RING 16	O	1				
C10	213214-4	O RING 16		1	*			
C11	213207-1	O RING 16	O	1				
C10	213214-4	O RING 16		1	*			
C11	213207-1	O RING 16	O	1				
C10	213214-4	O RING 16		1	*			
C11	213207-1	O RING 16	O	1				
C10	213214-4	O RING 16		1	*			
C11	213207-1	O RING 16	O	1				
C11	213207-1	O RING 16		1				
C11	213207-1	O RING 16		1				
014	261151-6	NYLON WASHER 19		1				
016A	135745-2	ANVIL E ASSEMBLY		1	*			
D10		INC. 8			*			
016B	135745-2	ANVIL E ASSEMBLY		1	*			
D10		INC. 8			*			
016C	135745-2	ANVIL E ASSEMBLY		1	*			
D10		INC. 8			*			
016D	135745-2	ANVIL E ASSEMBLY		1	*			
D10		INC. 8			*			
016-1A	135796-5	ANVIL E ASSEMBLY	<	1				
D10		INC. 8						
016-1B	135796-5	ANVIL E ASSEMBLY	<	1				
D10		INC. 8						
016-1C	135796-5	ANVIL E ASSEMBLY	<	1				
D10		INC. 8						
016-1D	135796-5	ANVIL E ASSEMBLY	<	1				
D10		INC. 8						
016-1E	135796-5	ANVIL E ASSEMBLY		1				
D10		INC. 8						
016-1F	135796-5	ANVIL E ASSEMBLY		1				
D10		INC. 8						
017	326110-8	HAMMER		1				
018	216040-0	STEEL BALL 3.5		24				
019	267175-0	FLAT WASHER 24		1				
020	233430-2	COMPRESSION SPRING 24		1				
021	267766-7	CUP WASHER 14		1				
022	216041-8	STEEL BALL 5.6		2				
023	227362-3	SPUR GEAR 22		2				
024	326109-3	SPINDLE		1				

Model No. DTW190 CORDLESS IMPACT WRENCH

Item	Parts No.	Description	I/C	QTY	N/O	Opt. 1	Opt. 2	NOTE
025	256253-1	PIN 5		2				
026	267212-0	FLAT WASHER 12		1				
027	227279-0	INTERNAL GEAR 51		1				
028	210107-6	BALL BEARING 6001ZZ		1				
029	453056-6	INTERNAL GEAR CASE		1				
030	629195-6	DC MOTOR		1				
031	424476-1	CUSHION		1				
032A	183D73-3	HOUSING SET		1	*			
C10	263005-3	RUBBER PIN 6		2	*			
C20	252126-6	HEX. LOCKING NUT M4-7		2	*			
D10		INC. 1			*			
032B	183D73-3	HOUSING SET		1	*			
C10	263005-3	RUBBER PIN 6		2	*			
C20	252126-6	HEX. LOCKING NUT M4-7		2	*			
D10		INC. 1			*			
032C	183D73-3	HOUSING SET		1	*			
C10	263005-3	RUBBER PIN 6		2	*			
C20	252126-6	HEX. LOCKING NUT M4-7		2	*			
D10		INC. 1			*			
032D	183D73-3	HOUSING SET		1	*			
C10	263005-3	RUBBER PIN 6		2	*			
C20	252126-6	HEX. LOCKING NUT M4-7		2	*			
D10		INC. 1			*			
032-1A	183D73-3	HOUSING SET	<	1				
C10	263005-3	RUBBER PIN 6		2				
C20	252126-6	HEX. LOCKING NUT M4-7		2				
D10		INC. 1						
032-1B	183D73-3	HOUSING SET	<	1				
C10	263005-3	RUBBER PIN 6		2				
C20	252126-6	HEX. LOCKING NUT M4-7		2				
D10		INC. 1						
032-1C	183D73-3	HOUSING SET	<	1				
C10	263005-3	RUBBER PIN 6		2				
C20	252126-6	HEX. LOCKING NUT M4-7		2				
D10		INC. 1						
032-1D	183D73-3	HOUSING SET	<	1				
C10	263005-3	RUBBER PIN 6		2				
C20	252126-6	HEX. LOCKING NUT M4-7		2				
D10		INC. 1						
032-1E	183D73-3	HOUSING SET		1				
C10	263005-3	RUBBER PIN 6		2				
C20	252126-6	HEX. LOCKING NUT M4-7		2				
D10		INC. 1						
032-1F	183D73-3	HOUSING SET		1				
C10	263005-3	RUBBER PIN 6		2				
C20	252126-6	HEX. LOCKING NUT M4-7		2				
D10		INC. 1						
033	268284-8	PIN 1.5		1				

Model No. DTW190 CORDLESS IMPACT WRENCH

Item	Parts No.	Description	I/C	QTY	N/O	Opt. 1	Opt. 2	NOTE
034	263036-2	RUBBER PIN 5		1				
A01B	141856-3	PLASTIC CARRYING CASE COMPLETE		1				
C10	162302-3	LATCH		2				
C20	324207-7	SHAFT		1				
C30	451749-9	HANDLE		1				
A01C	141856-3	PLASTIC CARRYING CASE COMPLETE		1				
C10	162302-3	LATCH		2				
C20	324207-7	SHAFT		1				
C30	451749-9	HANDLE		1				
A01D	141856-3	PLASTIC CARRYING CASE COMPLETE		1				
C10	162302-3	LATCH		2				
C20	324207-7	SHAFT		1				
C30	451749-9	HANDLE		1				
A01E	161464-4	SHOULDER STRAP		1				
A01F	141856-3	PLASTIC CARRYING CASE COMPLETE		1				
C10	162302-3	LATCH		2				
C20	324207-7	SHAFT		1				
C30	451749-9	HANDLE		1				
A02B	808M89-8	DTW190RFE PLASTIC CASE LABEL		2				
A02C	808M94-5	DTW190RME PLASTIC CASE LABEL		2				
A02D	808M99-5	DTW190RTE PLASTIC CASE LABEL		2				
A02F	812V98-5	DTW190SFE3 PLASTIC CASE LABEL		2				
A02-1E	197940-2	TOOL CATCHER SET		1				
C10	266622-8	+ TRUSS HEAD SCREW M4X12		2				
A03B	***DC18RC	DC18RC FAST CHARGER		1				
D10		COMPO-PARTS						
A03C	***DC18RC	DC18RC FAST CHARGER		1				
D10		COMPO-PARTS						
A03D	***DC18RC	DC18RC FAST CHARGER		1				
D10		COMPO-PARTS						
A03E	***DC18SD	DC18SD BATTERY CHARGER		1				
D10		COMPO-PARTS						
A03F	***DC18SD	DC18SD BATTERY CHARGER		1				
D10		COMPO-PARTS						
A04B	194204-5	BATTERY BL1830 SET		2	*			
A04C	197265-4	BATTERY BL1840B SET		2	*			
A04D	197280-8	BATTERY BL1850B SET		2	*			
A04F	197605-6	BATTERY BL1830B SET		3				
A04-1B	197605-6	BATTERY BL1830B SET	<	2				
A04-1C	198012-6	BATTERY BL1840B SET	<	2				
A04-1D	198013-4	BATTERY BL1850B SET	<	2				
A04-1E	197605-6	BATTERY BL1830B SET		2				
A05B	450128-8	BATTERY COVER		1				
A05C	450128-8	BATTERY COVER		1				
A05D	450128-8	BATTERY COVER		1				
A05E	450128-8	BATTERY COVER		1				
A05F	450128-8	BATTERY COVER		2				
A06E	831274-0	TOOL BAG		1				