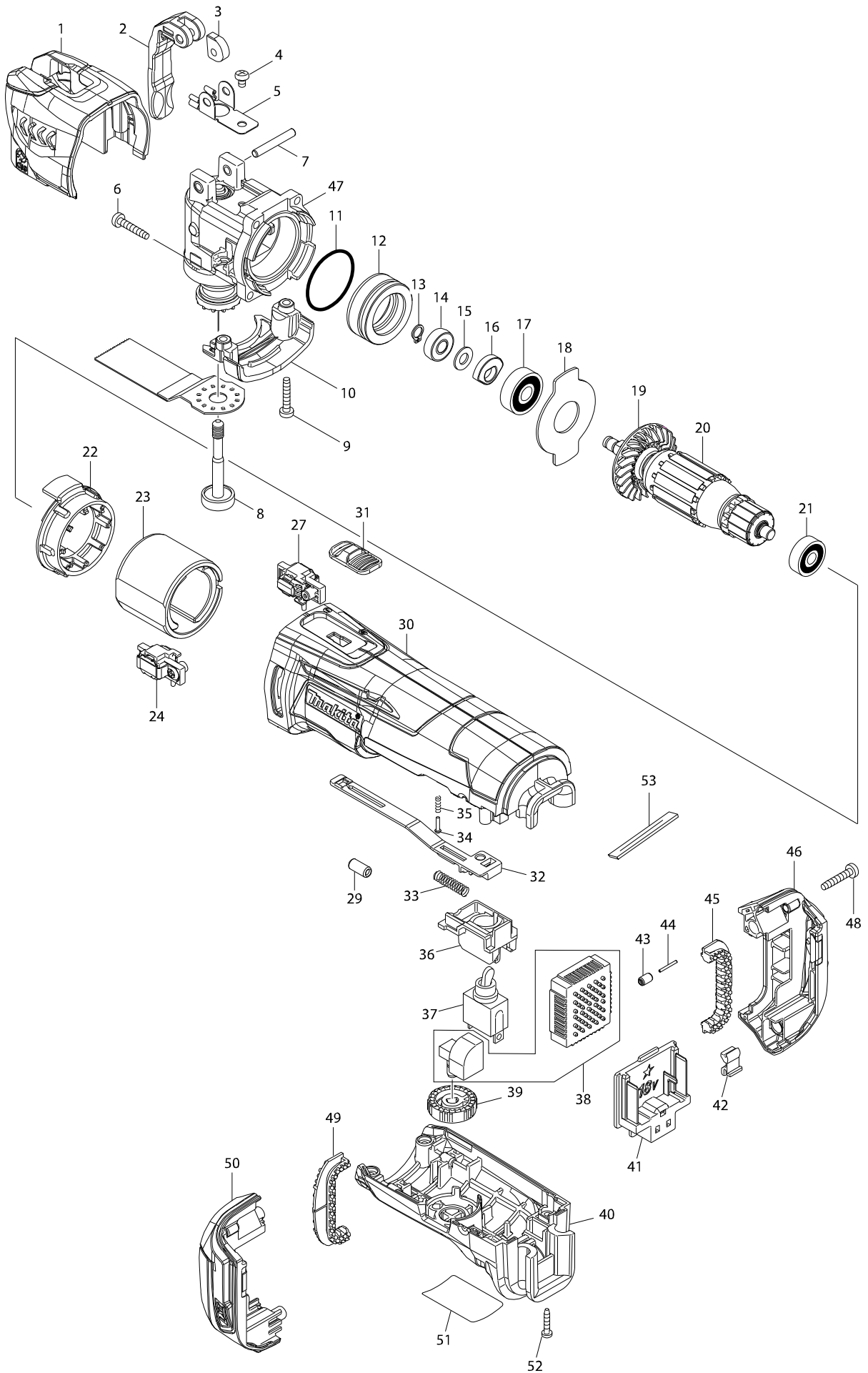


# Model No. DTM51 CORDLESS MULTI TOOL



# Model No. DTM51 CORDLESS MULTI TOOL

Item	Parts No.	Description	I/C	QTY	N/O	Opt. 1	Opt. 2	NOTE
001	455272-6	UPPER HEAD COVER		1				
002	319059-9	LEVER		1				
003	313268-2	TURN BLOCK		1				
004	911102-6	PAN HEAD SCREW M4X6		1				
005	232282-8	LEAF SPRING		1				
006	266424-2	TAPPING SCREW 4X20		4		73181500		
007	268306-4	PIN 5		1				
008	326409-1	HOLDER BOLT		1				
009	266424-2	TAPPING SCREW 4X20		2		73181500		
010	454635-3	LOWER HEAD COVER		1				
011	213343-3	O RING 35		1		40169320		
012	326347-7	BEARING BOX		1				
013	961003-8	RETAINING RING S-7		1		73182990		
014	211392-4	SPHERE BEARING 706		1	*	84821090		
014-1	210164-4	SPHERE BEARING 706	O	1				
015	253133-2	FLAT WASHER 7		1		84679900		
016	313245-4	BALANCER		1		84679900		
017	211092-6	BALL BEARING 629DDW		1		84821090		
018	285857-2	BEARING RETAINNER		1		84679900		
019	240140-4	FAN 46		1		84145190		
020	519338-7	ARMATURE ASS'Y 18V		1				
D10		INC. 19,21						
021	210023-2	BALL BEARING 627DDW		1		84821090		
022	455017-2	BUFFLE PLATE		1				
023	632B69-4	YOKE UNIT		1				
024	632B88-0	BRUSH HOLDER COMPLETE		1				
027	632B89-8	BRUSH HOLDER COMPLETE		1				
030	455013-0	MOTOR HOUSING		1				
031	455016-4	SWITCH KNOB		1				
032	455015-6	SWITCH LEVER		1				
033	234263-8	COMPRESSION SPRING 5		1		73209090		
034	255058-6	RIVET 2		1		73182990		
035	233002-3	COMPRESSION SPRING 3		1		73209090		
036	455018-0	SWITCH CASE		1				
037	651423-1	SWITCH		1		85366990		
038	620270-1	CONTROLLER		1				
039	271617-8	DIAL 28		1				
040	142553-4	HANDLE COVER COMPLETE		1				
C10	263005-3	RUBBER PIN 6		3		40169390		
041	643852-2	TERMINAL		1		73182990		
042	424476-1	CUSHION		1		40169390		
043	263036-2	RUBBER PIN 5		1		40169390		
044	268184-2	PIN 1.5		1		73182990		
045	424473-7	CUSHION RUBBER		1				
046	187848-8	BATTERY HOUSING SET		1				
C10	263005-3	RUBBER PIN 6		2		40169390		
D10		INC. 50						
047	142502-1	CRANK HOUSING COMPLETE		1	*			

