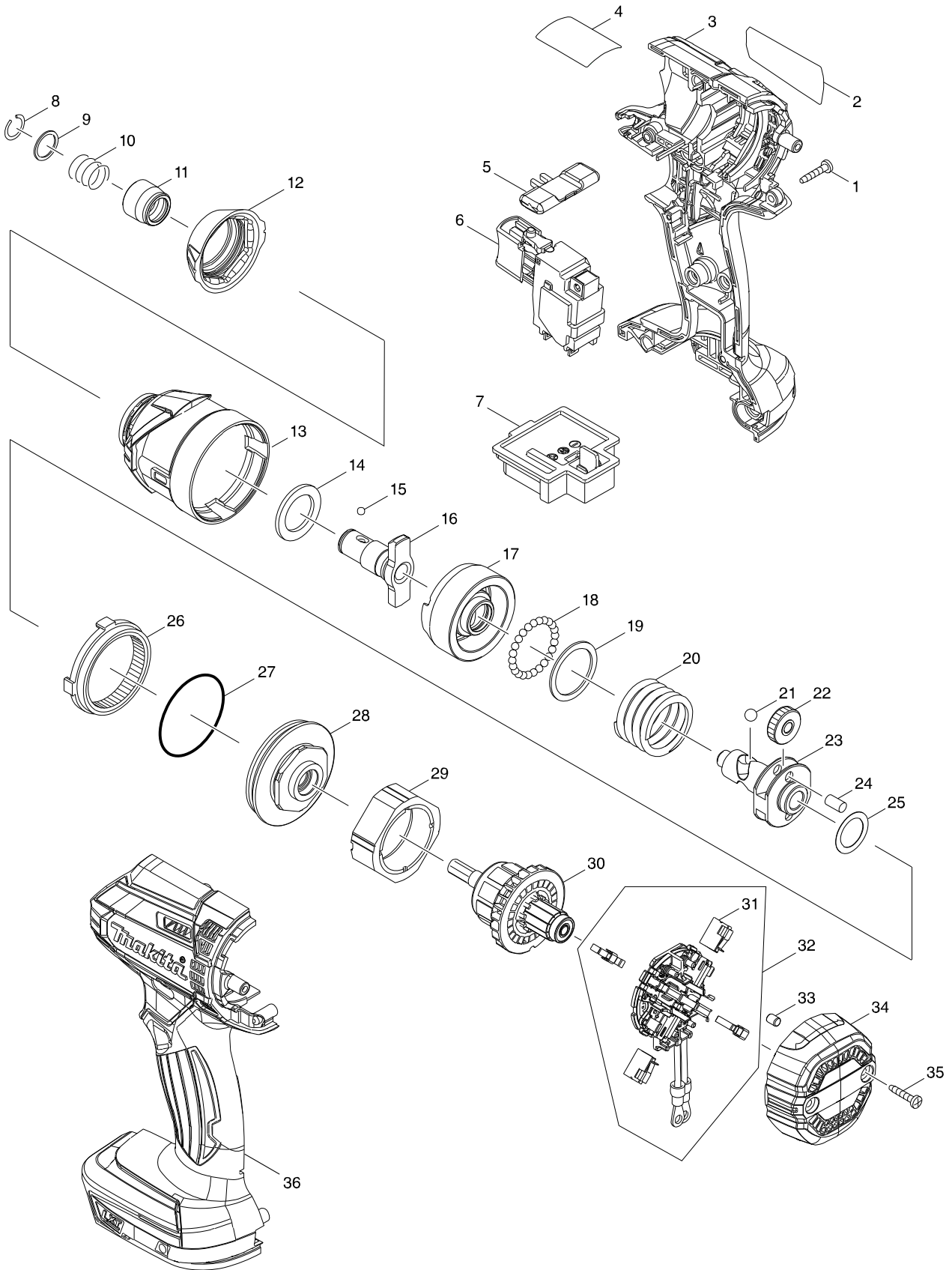


Model No. DTD152 CORDLESS IMPACT DRIVER



Model No. DTD152 CORDLESS IMPACT DRIVER

| Item | Parts No. | Description | I/C | QTY | N/O | Opt. 1 | Opt. 2 | NOTE |
|--------|-----------|---------------------------|-----|-----|-----|--------|--------|------|
| 001 | 266429-2 | TAPPING SCREW 3X16 | | 8 | | | | |
| 002 | 851E29-7 | DTD152 NAME PLATE | | 1 | | | | |
| 003 | 183B63-4 | HOUSING SET | | 1 | | | | |
| C10 | 263005-3 | RUBBER PIN 6 | | 2 | | | | |
| D10 | | INC. 36 | | | | | | |
| 005 | 455053-8 | F/R CHANGE LEVER | | 1 | | | | |
| 006 | 650751-1 | SWITCH TG573FSB-8V | | 1 | | | | |
| C10 | 620445-2 | LED CIRCUIT | | 1 | | | | |
| 007 | 643852-2 | TERMINAL | | 1 | | | | |
| 008 | 231951-8 | RING SPRING 11 | | 1 | | | | |
| 009 | 267085-1 | FLAT WASHER 12 | | 1 | | | | |
| 010 | 233005-7 | COMPRESSION SPRING 13 | | 1 | | | | |
| 011 | 326072-0 | BIT SLEEVE | | 1 | | | | |
| 012 | 424738-7 | BUMPER | | 1 | | | | |
| 013 | 143299-5 | HAMMER CASE COMPLETE | | 1 | | | | |
| 014 | 261151-6 | NYLON WASHER 19 | | 1 | | | | |
| 015 | 216040-0 | STEEL BALL 3.5 | | 2 | | | | |
| 016 | 326565-7 | ANVIL M | | 1 | | | | |
| 017 | 326564-9 | HAMMER | | 1 | | | | |
| 018 | 216040-0 | STEEL BALL 3.5 | | 24 | | | | |
| 019 | 267175-0 | FLAT WASHER 24 | | 1 | | | | |
| 020 | 234251-5 | COMPRESSION SPRING 25 | | 1 | | | | |
| 021 | 216041-8 | STEEL BALL 5.6 | | 2 | | | | |
| 022 | 227362-3 | SPUR GEAR 22 | | 2 | | | | |
| 023 | 326562-3 | SPINDLE | | 1 | | | | |
| 024 | 256253-1 | PIN 5 | | 2 | | | | |
| 025 | 253314-8 | THIN WASHER 15 | | 1 | | | | |
| 026 | 227378-8 | INTERNAL GEAR 51 | | 1 | | | | |
| 027 | 213507-9 | O RING 40 | | 1 | | | | |
| 028 | 143298-7 | BEARING BOX COMPLETE | | 1 | | | | |
| 029 | 638396-5 | YOKE UNIT | | 1 | | | | |
| 030 | 619377-8 | ARMATURE | | 1 | | | | |
| 031 | 196854-2 | CARBON BRUSH CB-448 | | 2 | | | | |
| 032A | 632F25-8 | BRUSH HOLDER COMPLETE | | 1 | * | | | |
| C10 | 688172-7 | LINE FILTER | | 1 | * | | | |
| C20 | 654037-5 | INSULATED TERM. FT1.25-M3 | | 2 | * | | | |
| D10 | | INC. 31 | | | * | | | |
| 032B | 632F25-8 | BRUSH HOLDER COMPLETE | | 1 | * | | | |
| C10 | 688172-7 | LINE FILTER | | 1 | * | | | |
| C20 | 654037-5 | INSULATED TERM. FT1.25-M3 | | 2 | * | | | |
| D10 | | INC. 31 | | | * | | | |
| 032-1A | 632F23-2 | BRUSH HOLDER COMPLETE | X | 1 | | | | |
| D10 | | INC. 31 | | | | | | |
| 032-1B | 632F23-2 | BRUSH HOLDER COMPLETE | X | 1 | | | | |
| D10 | | INC. 31 | | | | | | |
| 032-1C | 632F23-2 | BRUSH HOLDER COMPLETE | | 1 | | | | |
| D10 | | INC. 31 | | | | | | |
| 032-1D | 632F23-2 | BRUSH HOLDER COMPLETE | | 1 | | | | |

