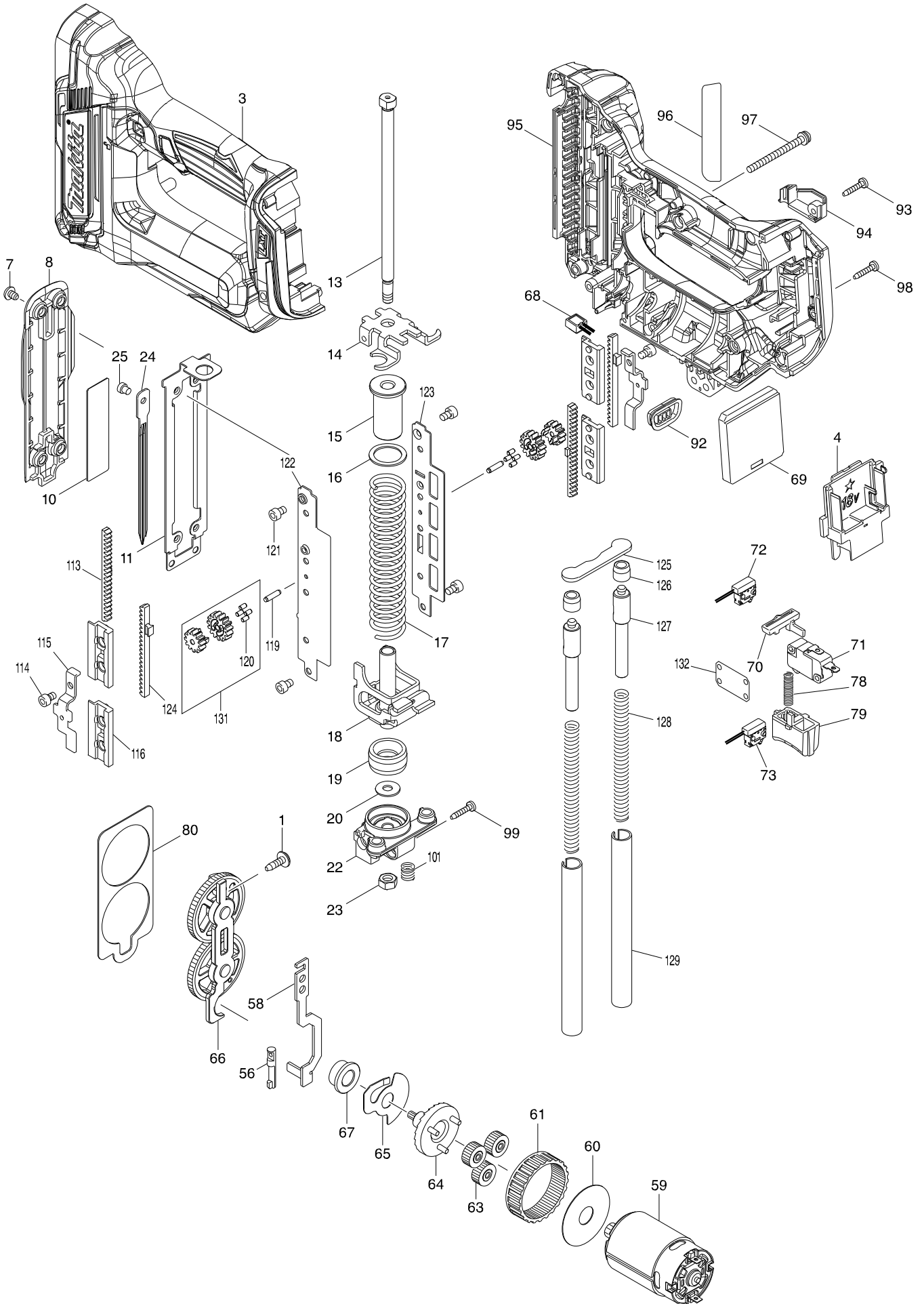
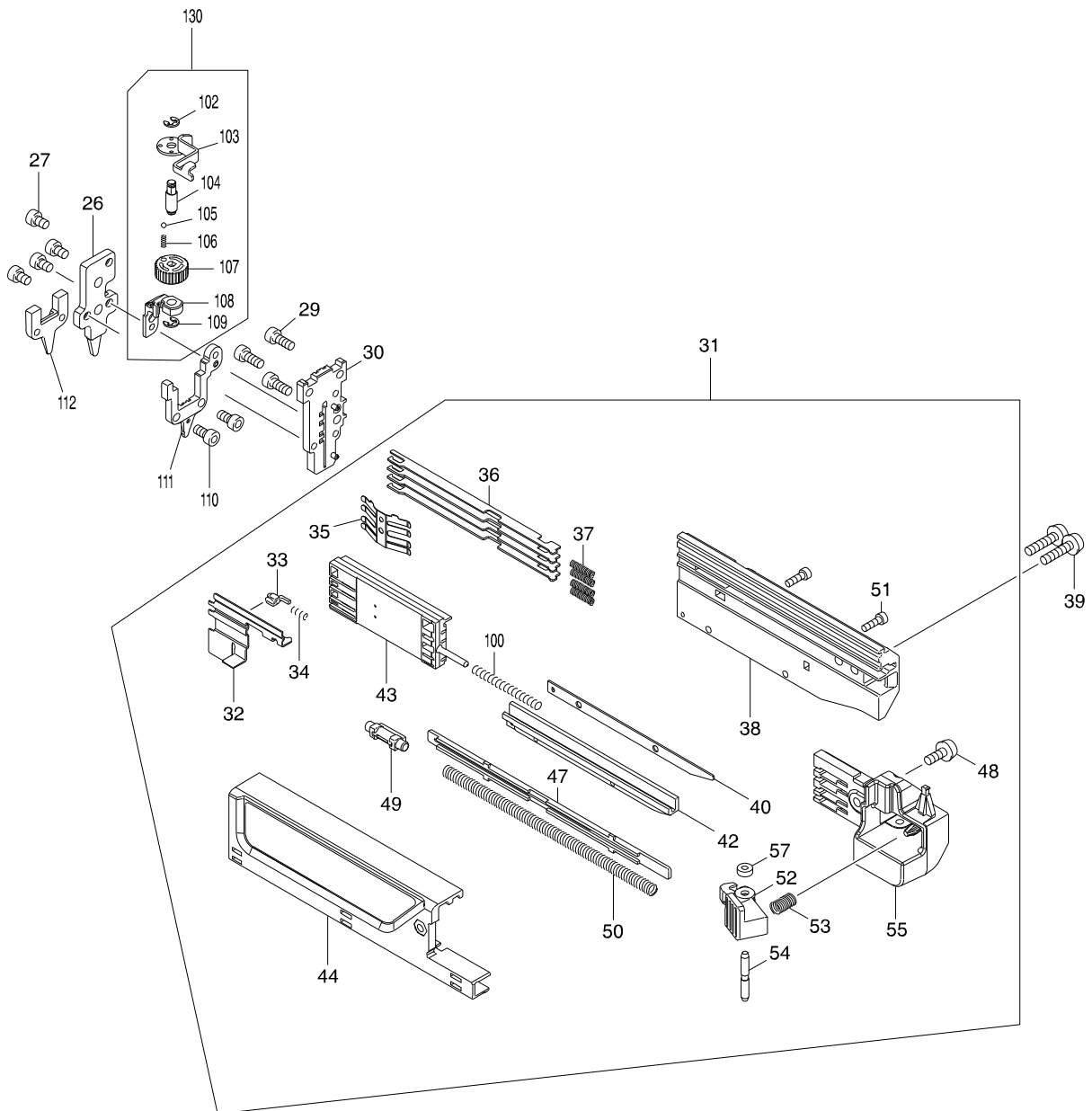


Model No. DPT353 CORDLESS PIN NAILER



Model No. DPT353 CORDLESS PIN NAILER



Model No. DPT353 CORDLESS PIN NAILER

Item	Parts No.	Description	I/C	QTY	N/O	Opt. 1	Opt. 2	NOTE
001	266901-4	TAPPING SCREW 4X14		1		73181500		
003	183F93-9	HOUSING SET		1		84679900		
C10	263005-3	RUBBER PIN 6		2		40169390		
C20	252126-6	HEX. LOCKING NUT M4-7		2		73181500		
C30	931102-0	HEX. NUT M4		1		73181500		
D10		INC. 95						
004	643860-3	TERMINAL		1		73182990		
007	915101-0	BINDING HEAD SCREW M4X6		4		73181500		
008	457384-1	FRONT COVER		1		84679900		
010	345704-0	UPPER PLATE		1				
011	347140-6	RAIL		1		73182990		
013	326903-3	GUIDE BOLT		1		73181500		
014	347143-0	BOTTOM PLATE		1		73182990		
015	457389-1	SPRING HOLDER		1		84679900		
016	347148-0	SPRING BASE		1		84679900		
017	232364-6	COMPRESSION SPRING 17		1		73209090		
018	347141-4	HAMMER		1		73182990		
019	424952-5	CUSHION		1		40169390		
020	253804-1	FLAT WASHER 6		1		84679900		
022	319537-9	HOLDER		1		84679900		
023	931302-2	HEX. NUT M6		1		73181500		
024	345702-4	DRIVER		1				
025	268157-5	PIN 4		1				
026	144291-4	DRIVER GUIDE COVER COMPLETE		1		84679900		
027	922102-1	HEX. SOCKET HEAD BOLT M4X6		4				
029	922112-8	HEX. SOCKET HEAD BOLT M4X10		3		73181500		
030	144330-0	DRIVER GUIDE COMPLETE		1		84679900		
031	135856-3	MAGAZINE ASSY		1	*			
D10		INC. 32-38,40,42-44,47-55,57,			*			
D20		INC. 100			*			
031-1	135897-9	MAGAZINE ASSY	<	1				
D10		INC. 32-38,40,42-44,47-55,57,						
D20		INC. 100						
032	347138-3	PUSHER		1		73182990		
033	310176-8	STOPPER		1	*			
033-1	310176-8	STOPPER	S	1				
034	233018-8	COMPRESSION SPRING 3		1		73209090		
035	232362-0	LEAF SPRING		1		73209090		
036	346239-4	NAIL STOPPER		4				
037	232367-0	COMPRESSION SPRING 3		4		73209090		
038	457379-4	MAGAZINE		1	*	49019099		
038-1	458195-7	MAGAZINE	<	1				
039	911133-5	PAN HEAD SCREW M4X18		2		73181500		
040	347137-5	SPACER		1		73182990		
042	144335-0	LOWER RAIL COMPLETE		1		84679900		
043	457382-5	NAIL GUIDE HOLDER		1		84679900		
044	457380-9	UPPER RAIL		1		84679900		
C10	931102-0	HEX. NUT M4		1		73181500		

Model No. DPT353 CORDLESS PIN NAILER

Item	Parts No.	Description	I/C	QTY	N/O	Opt. 1	Opt. 2	NOTE
047	457387-5	SPRING COVER		1		84679900		
048	911113-1	PAN HEAD SCREW M4X10 WITH WR		1		73181500		
049	457383-3	SHOULDER PIN 5-6		1		73182990		
050	232366-2	COMPRESSION SPRING 5		1		73209090		
051	266177-3	HEX. SOCKET HEAD BOLT M3X10		2		73181500		
052	457388-3	LEVER		1		84679900		
053	233117-6	COMPRESSION SPRING 6		1		73209090		
054	256793-9	PIN 3		1				
055	457381-7	SLIDE DOOR CAP		1		84679900		
056	268158-3	PIN 5		1				
057	262054-7	URETHANE RING 3		1				
058	347139-1	LOCK ARM		1		73182990		
059	629253-8	DC MOTOR		1		85011019		
060	267053-4	FLAT WASHER 12		1		73182200		
061	227166-3	INTERNAL GEAR 69		1				
063	221961-3	SPUR GEAR 27		3				
064	154973-0	SPUR GEAR 7 COMPLETE		1				
065	345773-1	ANTI BACK PLATE		1				
066	144290-6	SPUR GEAR 55 COMPLETE		1		84834000		
067	214060-8	PLANE BEARING 10		1				
068	620507-6	LED CIRCUIT		1				
069	632J90-1	CONTROLLER UNIT		1		84679900		
070	456799-9	TRIGGER LOCK		1				
071	632J09-0	SWITCH UNIT		1				
072	632G60-2	SWITCH UNIT		1				
073	632K06-2	SWITCH UNIT		1		85366990		
078	232370-1	COMPRESSION SPRING 5		1		73209090		
079	457386-7	TRIGGER		1		84679900		
080	347142-2	GEAR PLATE		1		73182990		
092	143778-3	INDICATOR PANEL COMPLETE		1				
093	266130-9	TAPPING SCREW BIND PT 3X16		1		73181500		
094	457385-9	HOUSING R COVER		1		84679900		
095	183F93-9	HOUSING SET		1		84679900		
C10	263005-3	RUBBER PIN 6		2		40169390		
C20	252126-6	HEX. LOCKING NUT M4-7		2		73181500		
C30	931102-0	HEX. NUT M4		1		73181500		
D10		INC. 3						
096	852X49-8	DPT353 NAME PLATE		1				
097	911173-3	PAN HEAD SCREW M4X45		1		73181500		
098	266130-9	TAPPING SCREW BIND PT 3X16		8		73181500		
099	266130-9	TAPPING SCREW BIND PT 3X16		1		73181500		
100	233459-8	COMPRESSION SPRING 3		1		73209090		
101	232365-4	COMPRESSION SPRING 7		1		73209090		
102	961017-7	STOP RING E-3		1		73182990		
103	347136-7	CONTACT ARM		1		73182990		
104	326905-9	ADJUSTER SHAFT		1		84831099		
105	216031-1	STEEL BALL 2.3		1				
106	234254-9	COMPRESSION SPRING 2		1				

