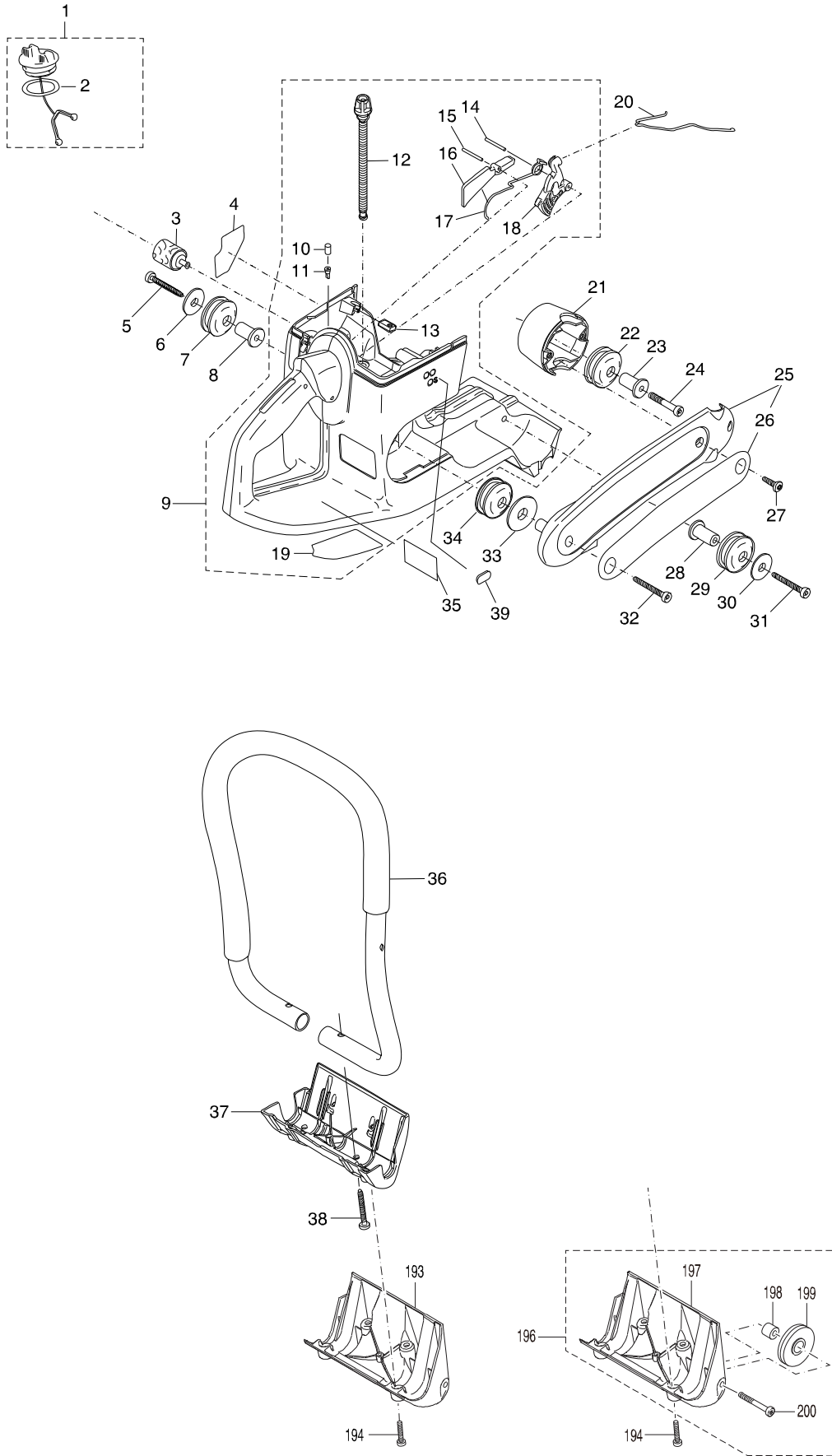
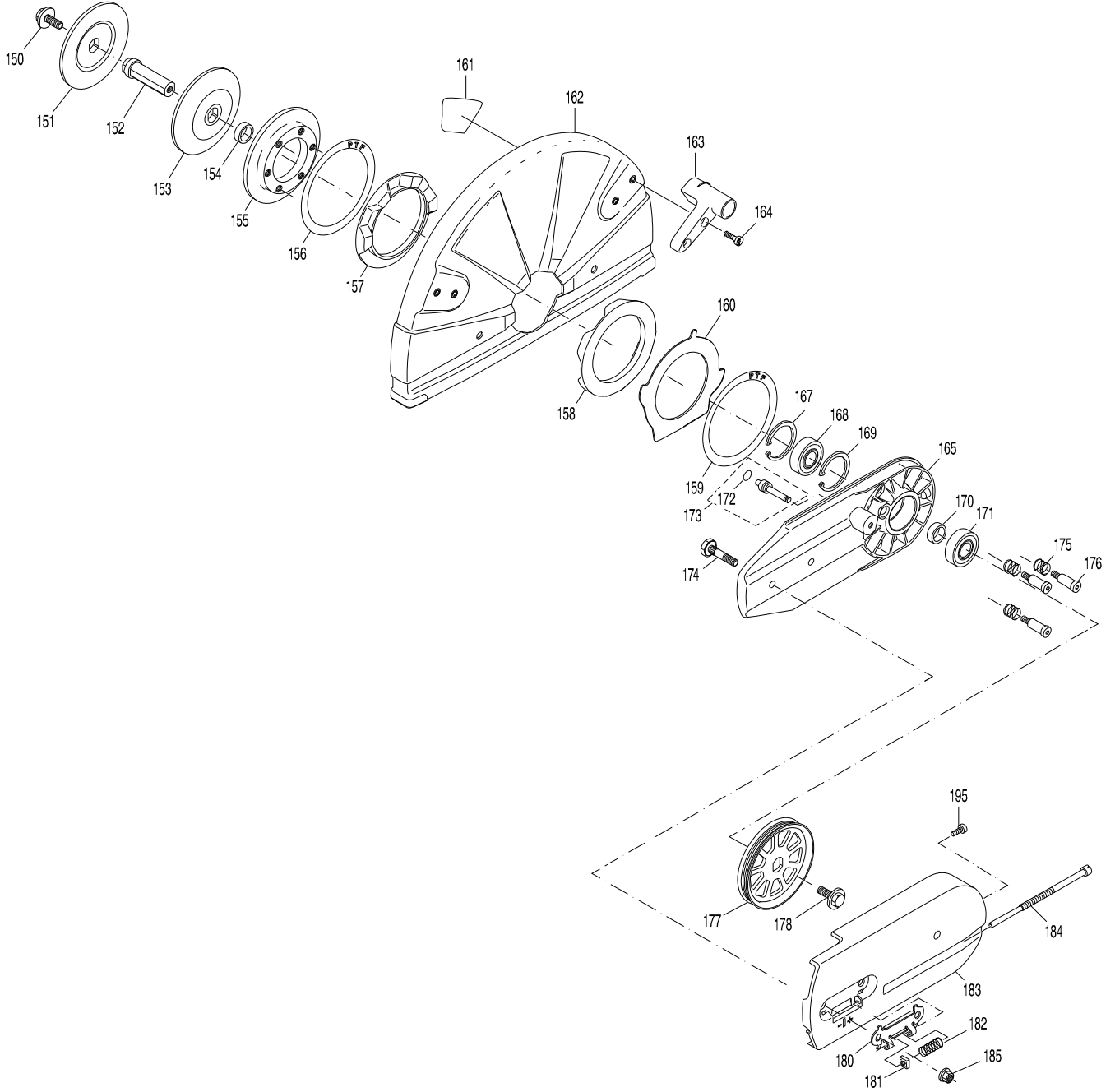


Model No. DPC8132 POWER CUTTER



Model No. DPC8132 POWER CUTTER



Model No. DPC8132 POWER CUTTER

Item	Parts No.	Description	I/C	QTY	N/O	Opt. 1	Opt. 2	NOTE
001A	161382-6	TANK PLUG CPL.		1				
001B	168507-3	TANK CAP COMPLETE		1				
D10		INC. 2						
002B	213080-9	O RING 29.5		1				
003	163499-1	SUCTION HEAD		1				
005	266687-0	TAPPING SCREW 5.5X45		1				
006	346870-6	WASHER 5.8X26X2		1				
007	424695-9	VIBRATION DAMPER		1				
008	319268-0	AXLE FOR VIBRATION DAMPER		1				
009A	123462-6	TANK CPL.BLUE		1				
009B	123321-4	FUEL TANK CPL. BLUE		1				
D10		INC. 10-19						
010B	422063-0	SINTER INSERT		1				
011B	424170-5	VALVE		1				
012B	424723-0	FUEL LINE		1				
013B	252897-5	SCREW PLUG		4				
014B	268335-7	PIN 3		1				
015B	268233-5	PIN 3		1				
016B	455821-9	SAFETY LEVER		1				
017B	233626-5	SPRING		1				
018B	455820-1	THROTTLE LEVER		1				
019B	806J47-0	INDICATION LABEL		1				
020B	326497-8	THROTTLE LINKAGE		1				
021	455806-5	RETAINER FOR DAMPER BLACK		1				
022	424695-9	VIBRATION DAMPER		1				
023	319268-0	AXLE FOR VIBRATION DAMPER		1				
024	266943-8	H.L. SOCKET HEAD BOLT M5X40		1				
025	143211-5	SIDE SUPPORT MAKITA		1				
D10		INC. 26						
026	806J44-6	MAKITA LOGO LABEL		1				
027	266475-5	TAPPING SCREW TORX 5.5X20		2				
028	319268-0	AXLE FOR VIBRATION DAMPER		1				
029	424695-9	VIBRATION DAMPER		1				
030	346870-6	WASHER 5.8X26X2		1				
031	266687-0	TAPPING SCREW 5.5X45		1				
032	266687-0	TAPPING SCREW 5.5X45		1				
033	346871-4	WASHER		1				
034	424695-9	VIBRATION DAMPER		1				
035	851W47-3	DPC8132 NAME PLATE		1				
036	143097-7	WRAP AROUND HANDLE CPL		1				
037	319270-3	FOOT, MACHINED		1				
038	266687-0	TAPPING SCREW 5.5X45		2				
039B	424709-4	ADJUST GUIDE		1				
041	123309-4	COVER CPL. BLACK PRE-FILTER		1				
D10		INC. 42-45						
042	266692-7	THUMB SCREW M6X15		1				
043	123312-5	FILTER COVER COMPLETE		1				
D10		INC. 44						

Model No. DPC8132 POWER CUTTER

Item	Parts No.	Description	I/C	QTY	N/O	Opt. 1	Opt. 2	NOTE
044	806J48-8	CAUTION LABEL		1				
045	424700-2	PRE-FILTER		1				
053	266941-2	H.L. SOCKET HEAD BOLT M5X50		4				
054	123308-6	HOOD CPL. BLACK		1				
D10		INC. 55-57						
055	424697-5	PACKING RING		1				
056	806J50-1	CAUTION LABEL		1				
057	424703-6	DEKO COVER		1				
058	424701-0	AIR FILTER		1				
059	424705-2	INNER FILTER		1				
060	266960-8	H.L. SOCKET HEAD BOLT M5X20		2				
061	266946-2	H.L. SOCKET HEAD BOLT M5X12		1				
062	267821-5	SPRING WASHER 5		1				
063	161339-7	MUFFLER COMPLETE		1				
067	346876-4	MUFFLER GASKET		1				
068	346868-3	COOLING PLATE		1				
069	123310-9	INTAKE MANIFOLD CPL.		1				
D10		INC. 70,72,73						
070	424699-1	TUBE BLACK RED		1				
071	161311-9	ANGULAR NIPPLE		1				
072	424708-6	INTAKE HOSE		1				
073	233625-7	SPRING CLAMP		1				
074	346867-5	GUIDE RING		1				
075	455808-1	CHOKE SHAFT		1				
076	326496-0	CHOKE LINKAGE		1				
077	266944-6	H.L. SOCKET HEAD BOLT M4X55		2				
078	424710-9	INSULATION TUBE		2				
079	346874-8	GASKET		1				
080A	161383-4	CARBURATOR		1				
080B	161312-7	CARBURETOR		1				
082	424698-3	TUBE 3-120		1				
083	424696-7	RUBBER GROMMET		1				
084	326499-4	NIPPLE		1				
085A	806P13-3	DOLMAR LOGO LABEL		1				
085B	806K78-5	MAKITA LOGO LABEL		1				
086	123357-3	STARTING DEVICE CPL. BLUE		1				
D10		INC. 87-94						
087	267862-1	SPRING WASHER 5		1				
088	452458-3	STARTER GRIP		1				
089	266938-1	H.L. SOCKET HEAD BOLT M5X20		4				
090	123315-9	STARTER HOUSING BLUE		1				
091	140587-1	REWIND SPRING COMPLETE		1				
092	143098-5	CABLE DRUM COMPLETE		1				
093	455805-7	AIR GUIDE PLATE		1				
094	257997-6	RETAINING RING A14X1V		1				
095	264107-8	HEXAGONAL NUT M8		1				
096	267822-3	SPRING WASHER 8		1				
097	123306-0	FLYWHEEL D=120 CPL		1				

Model No. DPC8132 POWER CUTTER

Item	Parts No.	Description	I/C	QTY	N/O	Opt. 1	Opt. 2	NOTE
D10		INC. 98-100						
098	326500-5	BEARING BOLT		2				
099	346865-9	STARTER-RATCHET		2				
100	233535-8	TORSION SPRING 13		2				
101	632E42-2	CABLE WITH PLUG		1				
103	346869-1	CONTACT SPRING		1				
104	266942-0	H.L. SOCKET HEAD BOLT M5X20		2				
106	161316-9	IGNITION COIL		1				
107	424706-0	PLUG CAP		1				
108	234358-7	TERMINAL SPRING		1				
109	168517-0	SPARK PLUG		1				
111	455819-6	HOOD		1				
112	266940-4	H.L. SOCKET HEAD BOLT M5X15		3				
113	266945-4	H.L. SOCKET HEAD BOLT M5X30		5				
114	213814-0	RADIAL RING		1				
115	264108-6	SQUARE NUT M5		1				
116	424707-8	RUBBER SHEET		1				
117	143227-0	CRANKCASE MS CPL		1				
D10		INC. 120						
118	258038-1	CLAMPING PIN		2				
119	346877-2	CRANK CASE GASKET		1				
120	211154-0	BALL BEARING 6202		1				
121	266473-9	TORX SOCKET HEAD BOLT M5X23		4				
122	455804-9	DECOMPRESSION VALVE		1				
123	123440-6	CYLINDER PISTON SET		1				
D10		INC. 125-129						
125	234360-0	CIRCLIP 12		1				
126	257841-7	PISTON PIN		1				
127	319321-2	PISTON 52		1				
128	257381-5	PISTON RING 52		1				
129	234359-5	CIRCLIP 12		1				
130	346873-0	GASKET		1				
131	212133-1	PISTON PIN BEARING 12X16X13		1				
132	254042-8	WOODRUFF-KEY 3X3,7		1				
133	143289-8	CRANKSHAFT CPL.		1				
134	211154-0	BALL BEARING 6202		1				
135	143225-4	CRANKCASE CS CPL		1				
D10		INC. 134						
136	213814-0	RADIAL RING		1				
137	234366-8	SNAP RING A 16		1				
138	346872-2	STOP RING		1				
139	346866-7	GUIDE DISK		1				
140	161318-5	CLUTCH DRUM CPL.		1				
D10		INC. 141						
141	212134-9	NEEDLE ROLLER BEARING 15X21X16		1				
142	267389-1	FLAT WASHER 12		1				
143	123305-2	CLUTCH, CPL		1				
D10		INC. 144						

Model No. DPC8132 POWER CUTTER

Item	Parts No.	Description	I/C	QTY	N/O	Opt. 1	Opt. 2	NOTE
144	231892-8	TENSION SPRING		3				
145	424711-7	V-BELT		1				
146	455832-4	CLUTCH COVER		1				
147	266947-0	H.L. SOCKET HEAD BOLT M5X14		3				
150	266976-3	HEX. BOLT M8X25		1				
151	224443-4	FLANGE 102		1				
152A	326502-1	AXLE		1				
152B	326503-9	AXLE		1	*			
152-1B	326502-1	AXLE	<	1				
153	224443-4	FLANGE 102		1				
154	257375-0	SPACER, 8MM		1				
155	318746-7	PRESSURE RING		1				
156	442169-8	SLIDING DISC		1				
157	424426-6	RUBBER RING(INNER)		1				
158	424427-4	RUBBER RING(OUTER)		1				
159	442169-8	SLIDING DISC		1				
160	346455-8	IMPACT PLATE		1				
161A	807D69-7	CAUTION LABEL		1				
161B	807B75-0	CAUTION LABEL		1				
162	347005-2	HOOD		1				
163	452938-9	GRIP		1				
164	266725-8	-H.L. SOCKET HEAD BOLT M5X16		2				
165	319289-2	CUTTING DEVICE		1				
167	257998-4	RETAINING RING 40X1,75		1				
168	211281-3	BALL BEARING 6203LLU		1				
169	257998-4	RETAINING RING 40X1,75		1				
170	257375-0	SPACER, 8MM		1				
171	211281-3	BALL BEARING 6203LLU		1				
172	213625-3	O-RING 9		1				
173	123307-8	STOP BOLT CPL.		1				
D10		INC. 172						
174	266688-8	HEX. BOLT M8		2				
175	234216-7	COMPRESSION SPRING 8		3				
176	266689-6	H.L. COLLAR BOLT M6		3				
177	222185-4	BELT PULLEY		1				
178	266976-3	HEX. BOLT M8X25		1				
180	346457-4	PLATE		1				
181	264112-5	SQUARE NUT M6		1				
182	234215-9	COMPRESSION SPRING 6		1				
183	455831-6	BELT COVER		1				
184	266691-9	TENSIONING SCREW M6		1				
185	252145-2	COLLARED HEX NUT M8		2				
186	123369-6	PARTS FOR WATER ATTCHMENT KIT		1				
187	264109-4	CAPPING NUT		1				
188	266949-6	HOLLOW SCREW, BORED		1				
189	266949-6	HOLLOW SCREW, BORED		1				
190	264109-4	CAPPING NUT		1				
191	266950-1	H.L. SOCKET HEAD BOLT M6X14		1				

