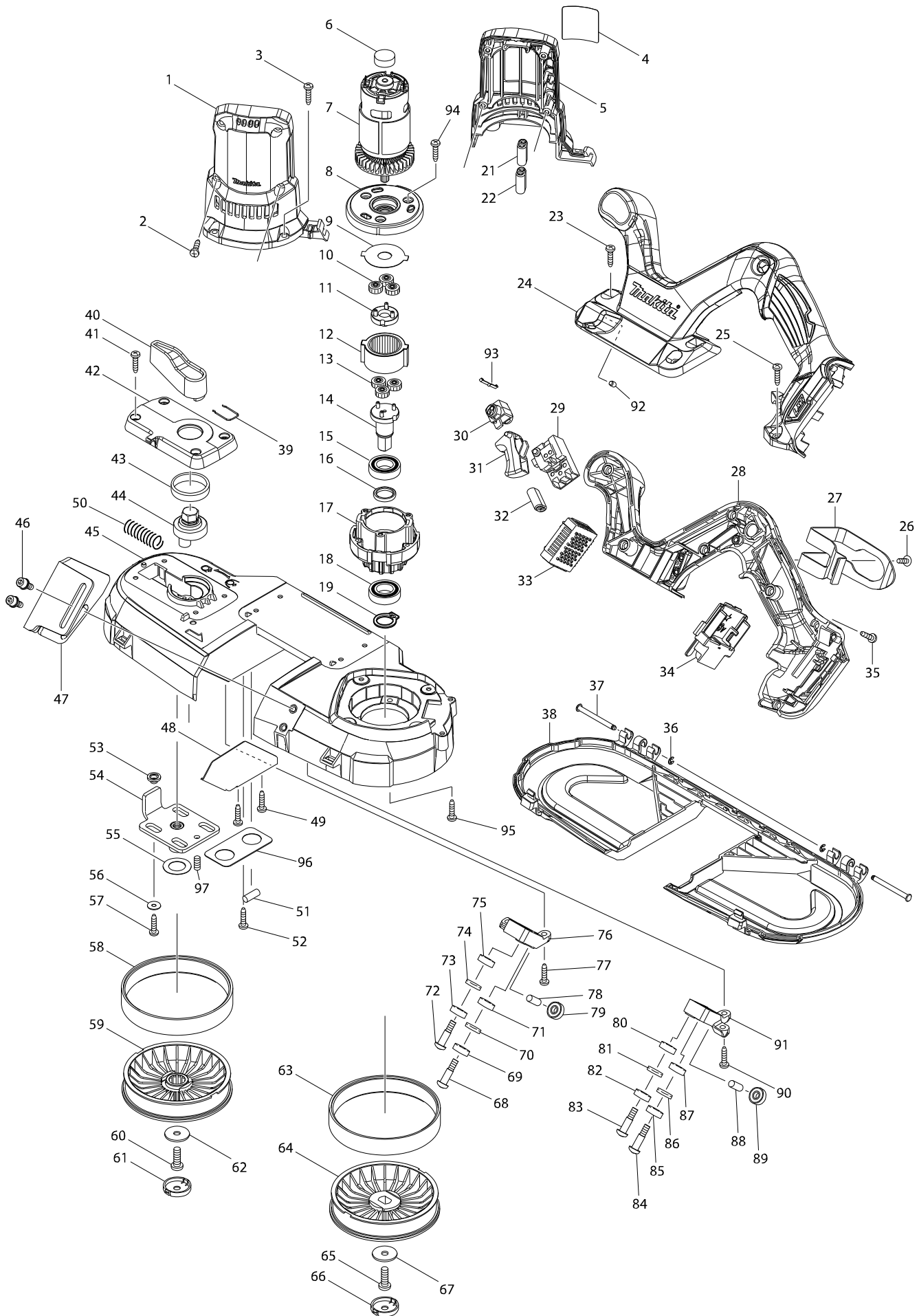


Model No. DPB181 CORDLESS PORTABLE BAND SAW



Model No. DPB181 CORDLESS PORTABLE BAND SAW

Item	Parts No.	Description	I/C	QTY	N/O	Opt. 1	Opt. 2	NOTE
001	187711-5	MOTOR HOUSING SET		1				
D10		INC. 5						
002	266326-2	TAPPING SCREW 4X18		4				
003	266326-2	TAPPING SCREW 4X18		4				
004	814X89-4	DPB181 NAME PLATE		1				
005	187711-5	MOTOR HOUSING SET		1				
D10		INC. 1						
006	421940-3	CAP		1				
007	629994-6	DC MOTOR		1				
008	454650-7	GEAR HOUSING COVER		1				
009	267855-8	LOCK WASHER		1				
010	227331-4	SPUR GEAR 14		3				
011	142355-8	SPUR GEAR 7 COMPLETE		1				
012	227332-2	INTERNAL GEAR 36		1				
013	227331-4	SPUR GEAR 14		3				
014	142356-6	SPINDLE COMPLETE		1				
015	211242-3	BALL BEARING 6902ZZ		1				
016	257348-3	RING 15		1				
017	454649-2	GEAR HOUSING		1	*			
017-1	455790-4	GEAR HOUSING	<	1				
018	211242-3	BALL BEARING 6902ZZ		1				
019	961055-9	RETAINING RING S-15		1				
023	266326-2	TAPPING SCREW 4X18		4				
024	187762-8	HANDLE SET		1				
C10	252126-6	HEX. LOCKING NUT M4-7		2				
C20	263005-3	RUBBER PIN 6		2				
D10		INC. 28						
025	266326-2	TAPPING SCREW 4X18		2				
028	187762-8	HANDLE SET		1				
C10	252126-6	HEX. LOCKING NUT M4-7		2				
C20	263005-3	RUBBER PIN 6		2				
D10		INC. 24						
029	650705-8	SWITCH TG73BDS-1		1				
030	419504-5	LOCK OFF BUTTON		1				
031	454651-5	SWITCH LEVER		1				
033	539218-1	CONTROLLER ASSEMBLY		1	*			
C10	654199-9	RECEPTACLE		1	*			
033-1	632C03-0	CONTROLLER UNIT	<	1				
C10	654199-9	RECEPTACLE		1				
034	643899-6	TERMINAL		1				
035	266326-2	TAPPING SCREW 4X18		7				
039	231955-0	RING SPRING 12		1				
040	272230-5	LEVER 54		1				
041	266326-2	TAPPING SCREW 4X18		4				
042	454614-1	LEVER HOLDER		1				
043	214408-4	PLANE BEARING 30		1				
044	326351-6	LEVER SHAFT		1				
045	454615-9	FLAME		1	*			

Model No. DPB181 CORDLESS PORTABLE BAND SAW

Item	Parts No.	Description	I/C	QTY	N/O	Opt. 1	Opt. 2	NOTE
045-1	143270-9	FRAME COMPLETE	<	1				
C10	424736-1	SPONGE		1				
046	922218-2	H.S.H.BOLT M5X14 WITH WR		2				
047	346728-9	STOPPER PLATE		1				
048	346729-7	PLATE		1				
049	266326-2	TAPPING SCREW 4X18		2				
050	234313-9	COMPRESSION SPRING 9		1				
051	256033-5	PIN 6		1				
052	266326-2	TAPPING SCREW 4X18		1				
053	343494-9	SLEEVE 5		4				
054	165738-5	SLIDE PLATE		1				
055	267164-5	FLAT WASHER 15		1				
056	253874-0	FLAT WASHER 4		4				
057	266326-2	TAPPING SCREW 4X18		4				
058	424589-8	RUBBER TIRE		1	*			
058-1	424589-8	RUBBER TIRE	S	1				
059	142358-2	WHEEL COMPLETE B		1				
060	265484-1	HEX. SOCKET HEAD BOLT M6X17		1				
061	454730-9	CAP		1				
062	253010-8	FLAT WASHER 6		1				
063	424589-8	RUBBER TIRE		1	*			
063-1	424589-8	RUBBER TIRE	S	1				
064	142357-4	WHEEL COMPLETE A		1				
065	265484-1	HEX. SOCKET HEAD BOLT M6X17		1				
066	454730-9	CAP		1				
067	253010-8	FLAT WASHER 6		1				
068	251337-0	+ PAN HEAD SCREW M5		1				
069	210033-9	BALL BEARING 696ZZ		1				
070	941152-7	FLAT WASHER 6		1				
071	210033-9	BALL BEARING 696ZZ		1				
072	251337-0	+ PAN HEAD SCREW M5		1				
073	210033-9	BALL BEARING 696ZZ		1				
074	941152-7	FLAT WASHER 6		1				
075	210033-9	BALL BEARING 696ZZ		1				
076	319075-1	UPPER HOLDER 42		1	*			
076-1	319400-6	UPPER HOLDER 42	<	1				
077	266326-2	TAPPING SCREW 4X18		2				
078	256033-5	PIN 6		1				
079	210033-9	BALL BEARING 696ZZ		1				
080	210033-9	BALL BEARING 696ZZ		1				
081	941152-7	FLAT WASHER 6		1				
082	210033-9	BALL BEARING 696ZZ		1				
083	251337-0	+ PAN HEAD SCREW M5		1				
084	251337-0	+ PAN HEAD SCREW M5		1				
085	210033-9	BALL BEARING 696ZZ		1				
086	941152-7	FLAT WASHER 6		1				
087	210033-9	BALL BEARING 696ZZ		1				
088	256033-5	PIN 6		1				

