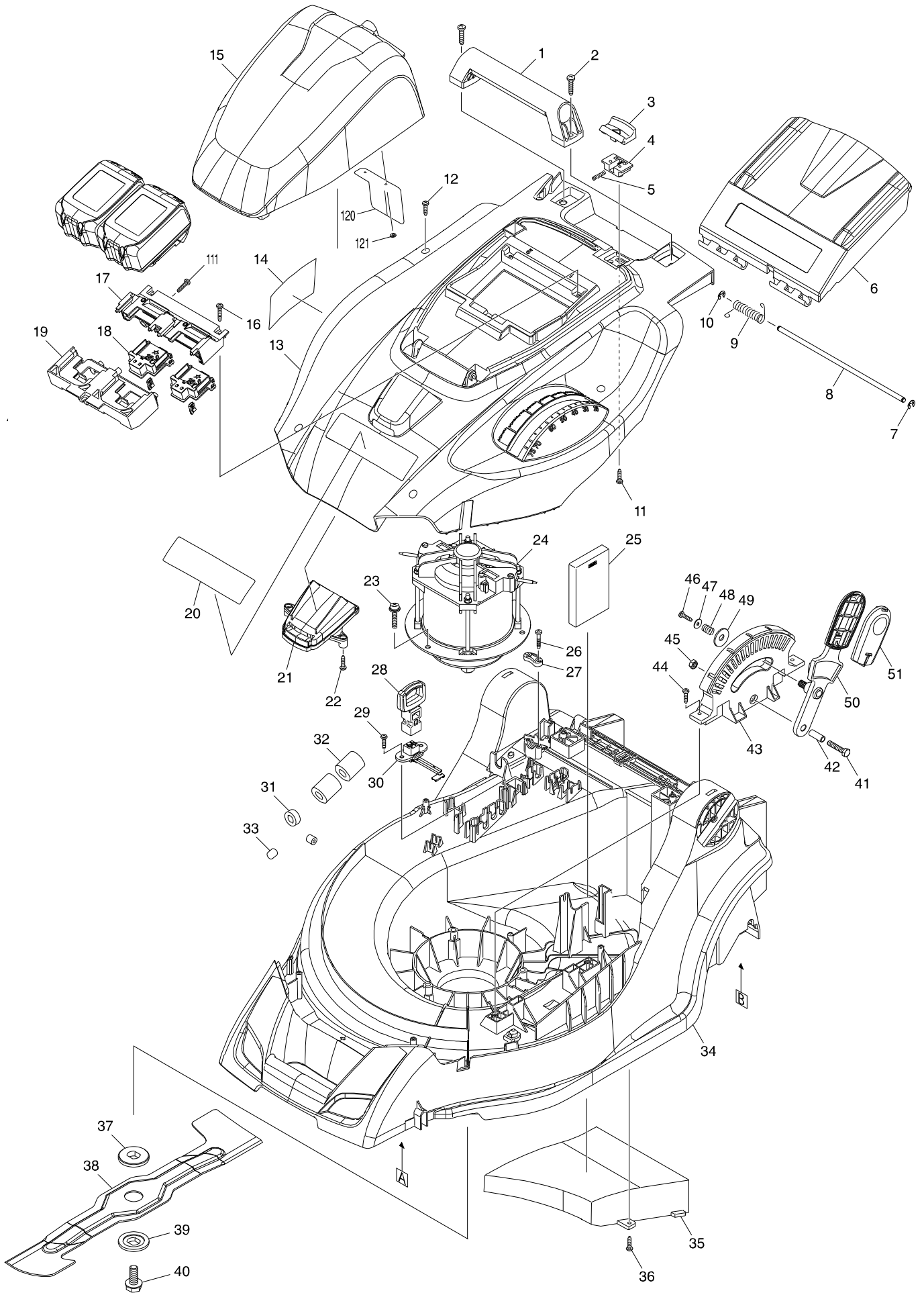
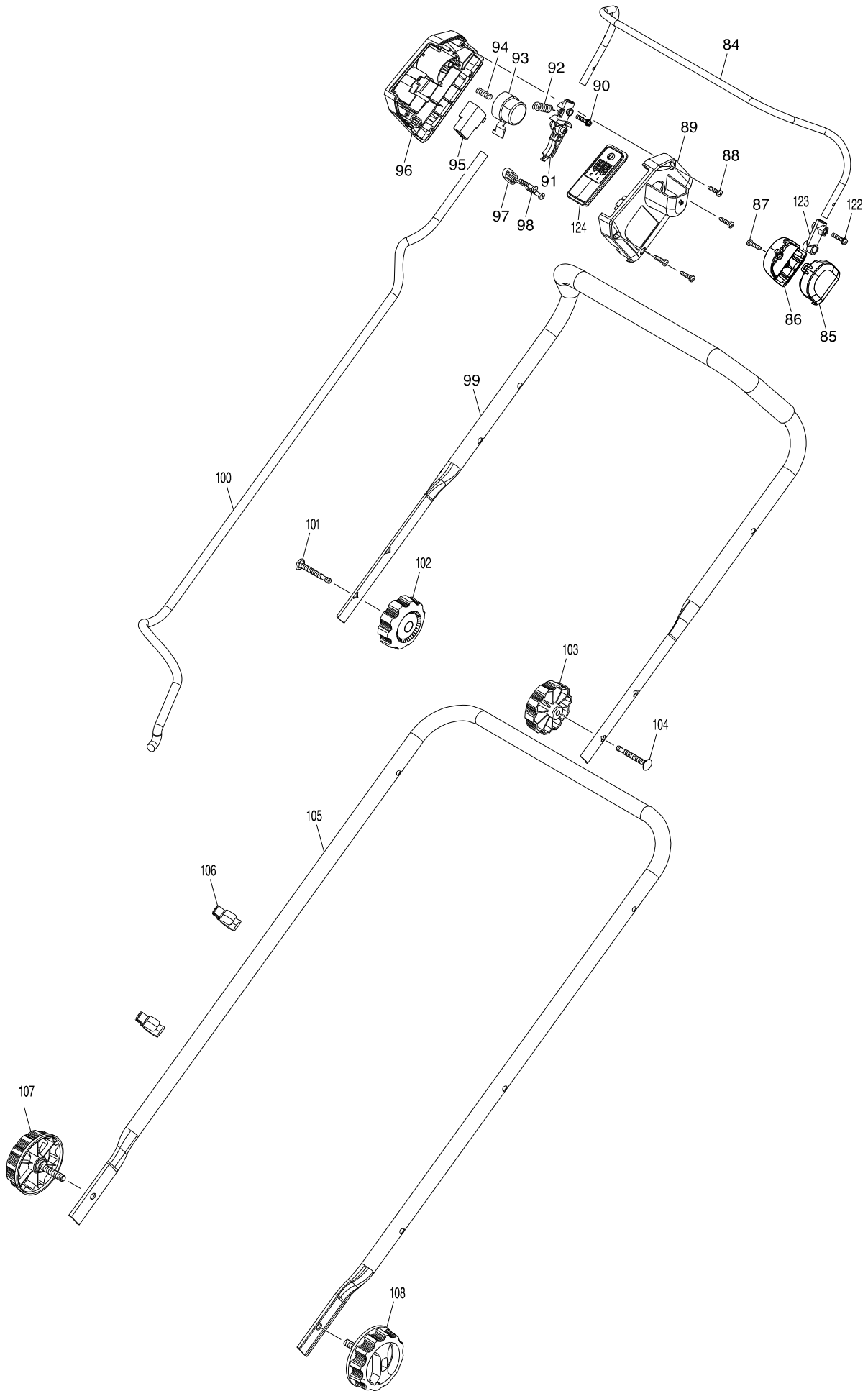


# Model No. DLM431 430MM CORDLESS LAWN MOWER

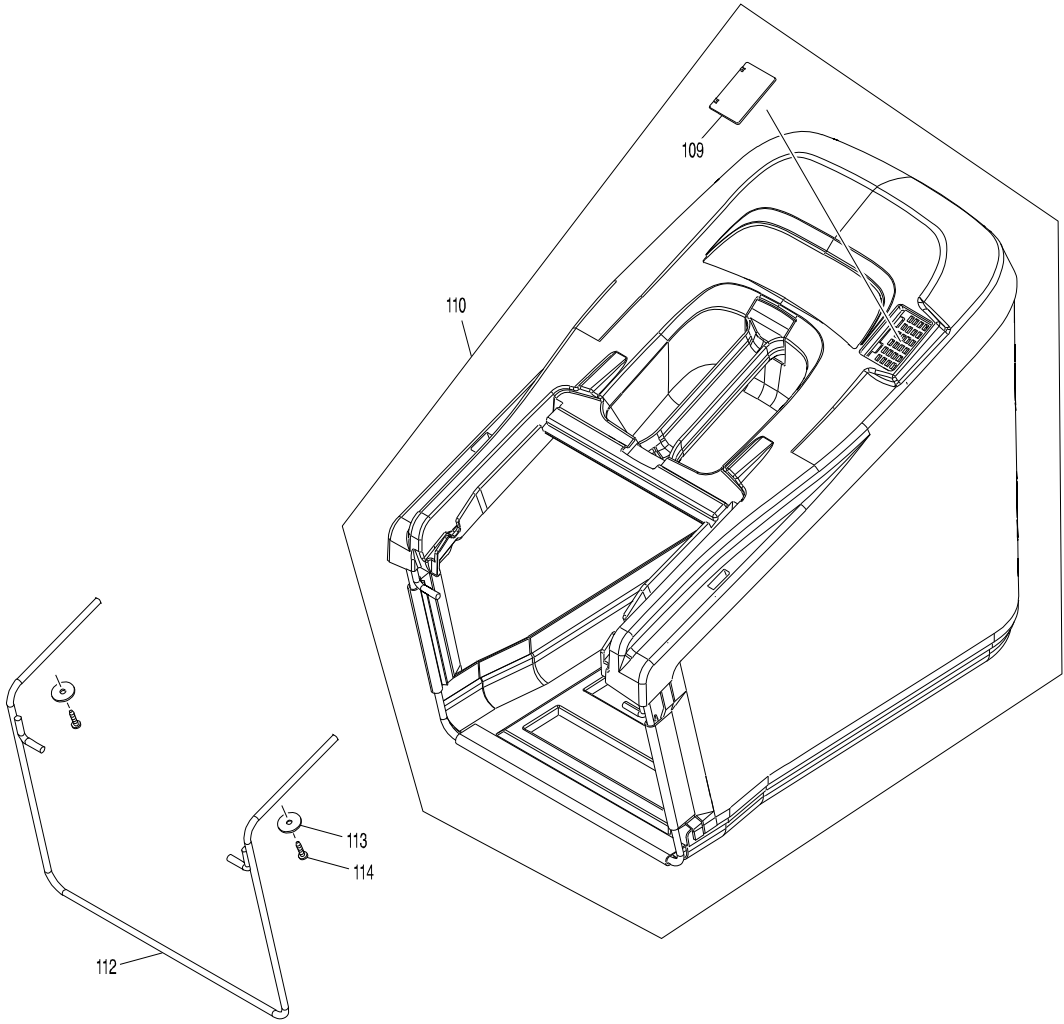




# Model No. DLM431 430MM CORDLESS LAWN MOWER



**Model No. DLM431 430MM CORDLESS LAWN MOWER**



# Model No. DLM431 430MM CORDLESS LAWN MOWER

Item	Parts No.	Description	I/C	QTY	N/O	Opt. 1	Opt. 2	NOTE
001	273675-0	GRIP A		1				
002	266459-3	TAPPING SCREW 5X25		2				
003	453250-0	LOCK LEVER		1				
004	453251-8	LOCK LEVER SUPPORT		1				
005	233173-6	COMPRESSION SPRING 4		1				
006	141300-0	REAR FLAP COMPLETE		1	*			
C10	890375-3	CAUTION LABEL		1	*			
006-1	144076-8	REAR FLAP COMPLETE	<	1				
C10	890375-3	CAUTION LABEL		1				
007	961018-5	STOP RING E-5		1				
008	256871-5	ROD 6		1				
009	233597-6	TORSION SPRING 8		1				
010	961018-5	STOP RING E-5		1				
011	266326-2	TAPPING SCREW 4X18		2				
012	266326-2	TAPPING SCREW 4X18		4				
013	456347-4	COWLING M		1				
014	851P60-9	DLM431 NAME PLATE		1				
015	143506-6	BATTERY COVER COMPLETE E		1				
C10	890380-0	CAUTION LABEL		1				
D10		INC. 120,121						
016	266326-2	TAPPING SCREW 4X18		3				
017	187926-4	TERMINAL HOUSING SET		1				
C10	263005-3	RUBBER PIN 6		4				
D10		INC. 19						
018	644808-8	TERMINAL		2				
019	187926-4	TERMINAL HOUSING SET		1				
C10	263005-3	RUBBER PIN 6		4				
D10		INC. 17						
020	890383-4	MAKITA LOGO LABEL		1				
021	453258-4	COWLING COVER		1				
022	266326-2	TAPPING SCREW 4X18		2				
023	266774-5	+ PAN HEAD SCREW M6X30 WITH WR		3				
024	629177-8	DC MOTOR		1				
025	620479-5	CONTROLLER		1				
026	265999-8	TAPPING SCREW 4X25		2				
027	687149-9	STRAIN RELIEF		1				
028	643890-4	KEY		1				
029	266326-2	TAPPING SCREW 4X18		2				
030	632F82-6	LEAD UNIT		1				
034	456346-6	DECK		1				
035	453239-8	UNDER COVER		1				
036	266326-2	TAPPING SCREW 4X18		3				
037	224444-2	INNER FLANGE 40		1				
038	196060-9	BLADE 430 SET		1	*			
038-1	197761-2	BLADE 430 SET	<	1				
039	224445-0	OUTER FLANGE 40		1				
040	266731-3	HEX. BOLT M10X25		1				
041	921352-5	HEX. BOLT M6X30		1				

# Model No. DLM431 430MM CORDLESS LAWN MOWER

Item	Parts No.	Description	I/C	QTY	N/O	Opt. 1	Opt. 2	NOTE
042	257670-8	SLEEVE 6		1				
043	453255-0	ADJUST PLATE		1				
044	266326-2	TAPPING SCREW 4X18		2				
045	931302-2	HEX. NUT M6		1				
046	266326-2	TAPPING SCREW 4X18		1				
047	267102-7	FLAT WASHER 4		1				
048	231297-2	COMPRESSION SPRING 9		1				
049	253808-3	FLAT WASHER 9		1				
050	453252-6	CHANGE LEVER		1				
051	453253-4	CHANGE LEVER COVER		1				
052	453241-1	REAR WHEEL CAP		1				
053	252145-2	COLLARED HEX NUT M8		1				
054	214067-4	PLANE BEARING 10		1				
055	453243-7	REAR WHEEL		1				
056	210070-3	BALL BEARING 6200ZZ		1				
057	165669-8	REAR SHAFT		1				
058	210070-3	BALL BEARING 6200ZZ		1				
059	453243-7	REAR WHEEL		1				
060	214067-4	PLANE BEARING 10		1				
061	252145-2	COLLARED HEX NUT M8		1				
062	453241-1	REAR WHEEL CAP		1				
063	266326-2	TAPPING SCREW 4X18		2				
064	346545-7	PLATE		2				
065	252103-8	HEX. LOCK NUT M5-8		1				
066	941101-4	FLAT WASHER 5		1				
067	346543-1	CONNECTING ROD		1				
068	231875-8	TENSION SPRING 16		1				
069	941101-4	FLAT WASHER 5		1				
070	252103-8	HEX. LOCK NUT M5-8		1				
071	453240-3	FRONT WHEEL CAP		1				
072	252145-2	COLLARED HEX NUT M8		1				
073	214067-4	PLANE BEARING 10		1				
074	453242-9	FRONT WHEEL		1				
075	210070-3	BALL BEARING 6200ZZ		1				
076	165668-0	FRONT SHAFT		1				
077	266326-2	TAPPING SCREW 4X18		5				
078	456353-9	FRONT COVER		1				
079	210070-3	BALL BEARING 6200ZZ		1				
080	453242-9	FRONT WHEEL		1				
081	214067-4	PLANE BEARING 10		1				
082	252145-2	COLLARED HEX NUT M8		1				
083	453240-3	FRONT WHEEL CAP		1				
084	326636-0	SWITCH LEVER		1				
085	456351-3	SWITCH LEVER CASE		1				
086	456352-1	SWITCH LEVER CASE COVER		1				
087	266326-2	TAPPING SCREW 4X18		1				
088	266326-2	TAPPING SCREW 4X18		4				
089	143508-2	SWITCH BOX COVER COMPLETE K		1				

**Model No. DLM431 430MM CORDLESS LAWN MOWER**

Item	Parts No.	Description	I/C	QTY	N/O	Opt. 1	Opt. 2	NOTE
C10	890374-5	INDICATION LABEL		1				
090	911138-5	PAN HEAD SCREW M4X20		1				
091	455075-8	LEVER		1				
092	231876-6	TENSION SPRING 9		1				
093	455074-0	SWITCH BUTTON		1				
094	233068-3	COMPRESSION SPRING 6		1				
095	650730-9	SWITCH TG72BD-6		1				
096	456349-0	SWITCH BOX		1				
097	687149-9	STRAIN RELIEF		1				
098	265999-8	TAPPING SCREW 4X25		2				
099	143510-5	UPPER PIPE COMPLETE		1				
100	660330-7	POWER SUPPLY CORD		1				
101	265A14-4	CUP H. SQUARE NECK BOLT M6X50		1				
102	264070-5	THUMB NUT M6		1				
103	264070-5	THUMB NUT M6		1				
104	265A14-4	CUP H. SQUARE NECK BOLT M6X50		1				
105	326635-2	LOWER PIPE		1				
106	456354-7	HOLDER		2				
107	266729-0	THUMB SCREW M8X35		1				
108	266729-0	THUMB SCREW M8X35		1				
109	456355-5	INDICATOR M		1				
110	123524-0	REAR BAG ASS'Y M		1	*			
D10		INC. 109			*			
110-1	123794-1	REAR BAG ASSEMBLY M	<	1				
D10		INC. 109						
111	266326-2	TAPPING SCREW 4X18		3				
112	326118-2	REAR BAG ROD		1				
113	267438-4	FLAT WASHER 5		2				
114	266326-2	TAPPING SCREW 4X18		2				
120	424824-4	RUBBER SHEET		1				
121	259015-6	STOP RING CS-3		2				
122	911138-5	PAN HEAD SCREW M4X20		1				
123	455078-2	ARM		1				
124	143505-8	LED CIRCUIT COMPLETE		1				
A01	782210-8	SOCKET WRENCH 17		1				
A02	***DC18RD	DC18RD TWO PORT FAST CHARGER		1				
D10		COMPO-PARTS						
A03A	197265-4	BATTERY BL1840B SET		2	*			
A03B	197280-8	BATTERY BL1850B SET		2	*			
A03-1A	198012-6	BATTERY BL1840B SET	<	2				
A03-1B	198013-4	BATTERY BL1850B SET	<	2				