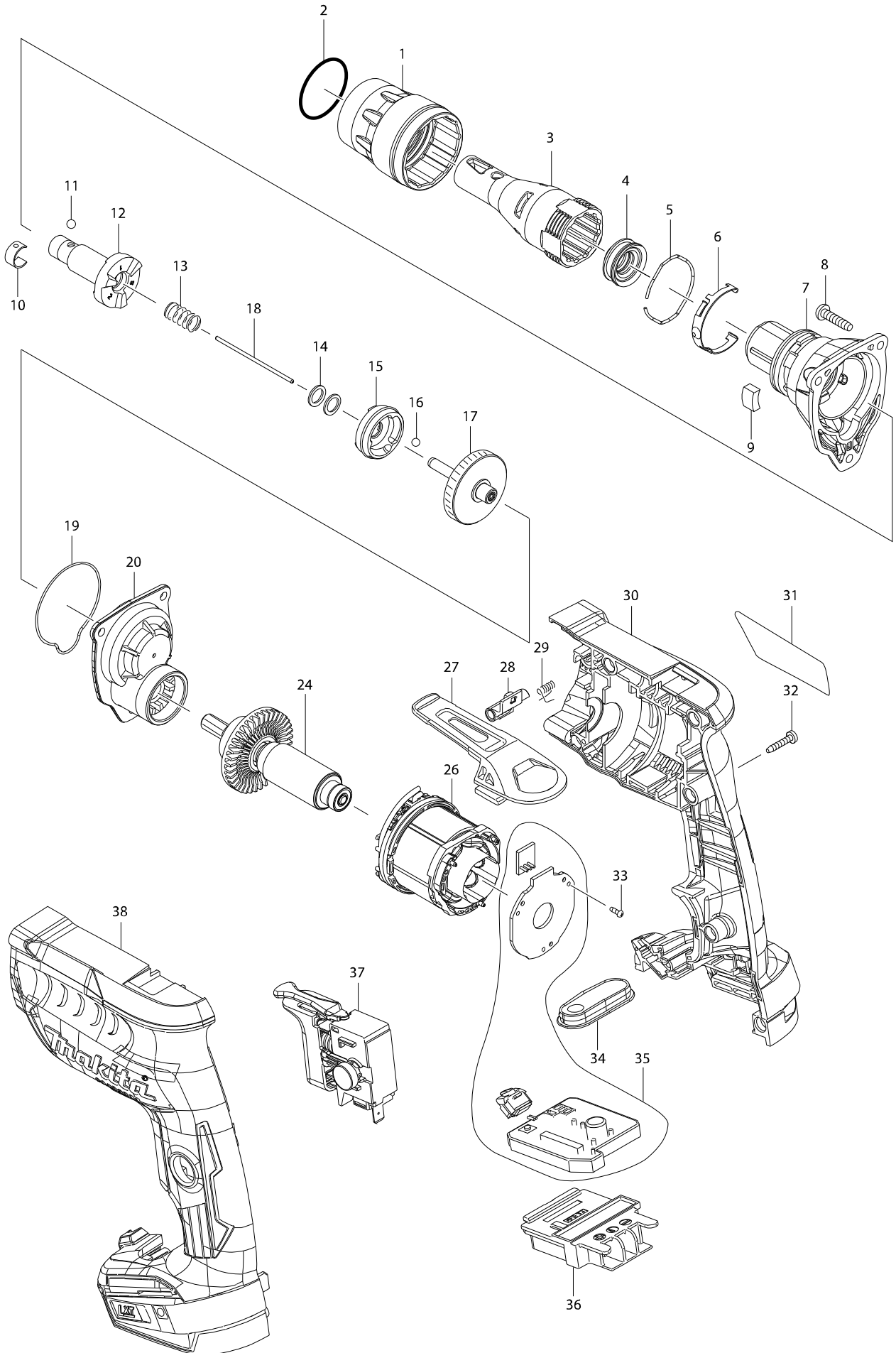


Model No. DFS452 CORDLESS SCREWDRIVER



Model No. DFS452 CORDLESS SCREWDRIVER

Item	Parts No.	Description	I/C	QTY	N/O	Opt. 1	Opt. 2	NOTE
001	455591-0	LOCK RING		1				
002	424235-3	SEAL RING 30		1				
003	158876-0	LOCATOR L COMPLETE		1				
004	424665-8	DUST SEAL SLEEVE		1				
005	234348-0	RING SPRING 30		1				
006	232245-4	LEAF SPRING		1				
007	142902-5	GEAR HOUSING COMPLETE		1				
C10	213796-6	OIL SEAL 11		1				
008	265995-6	TAPPING SCREW 4X18		3				
009	423413-2	RUBBER PLATE		1				
010	232050-9	LEAF SPRING		1				
011	216001-0	STEEL BALL 3.5		1				
012	142903-3	SPINDLE 125S COMPLETE		1				
013	234121-8	COMPRESSEION SPRING 8		1				
014	267202-3	FLAT WASHER 8		2				
015	223181-5	CLUTCH CAM 125S		1				
016	216008-6	STEEL BALL 4		3				
017	142904-1	GEAR COMPLETE		1				
C10	424663-2	SEAL		1				
018	268325-0	ROD 2		1				
019	424664-0	SEAL RING		1				
020	142909-1	GEAR HOUSING COVER COMPLETE		1				
024	519355-7	ROTOR ASS'Y		1				
026	629135-4	STATOR		1				
027	162272-6	HOOK		1				
028	142908-3	LEVER COMPLETE		1				
029	233619-2	TORSION SPRING 3		1				
030	187993-9	HOUSING SET		1				
C10	263005-3	RUBBER PIN 6		2				
D10		INC. 38						
031	850H34-9	DFS452 NAME PLATE		1				
032	266130-9	TAPPING SCREW BIND PT 3X16		7				
033	266490-9	TAPPING SCREW PT 2X6		3				
034	142905-9	SWITCH PLATE COMPLETE		1				
035	620349-8	CONTROLLER		1				
036	643860-3	TERMINAL		1				
037	650733-3	SWITCH C3JW-4B-2L		1				
038	187993-9	HOUSING SET		1				
C10	263005-3	RUBBER PIN 6		2				
D10		INC. 30						
039	850H36-5	DFS452 SERIAL NO. LABEL		1				
A01	266622-8	+ TRUSS HEAD SCREW M4X12		1				
A02	346317-0	HOOK		1				
A03	784261-7	+BIT 2-25		2				
A04	784812-6	MAGNETIC BIT HOLDER 6.35-76		1				