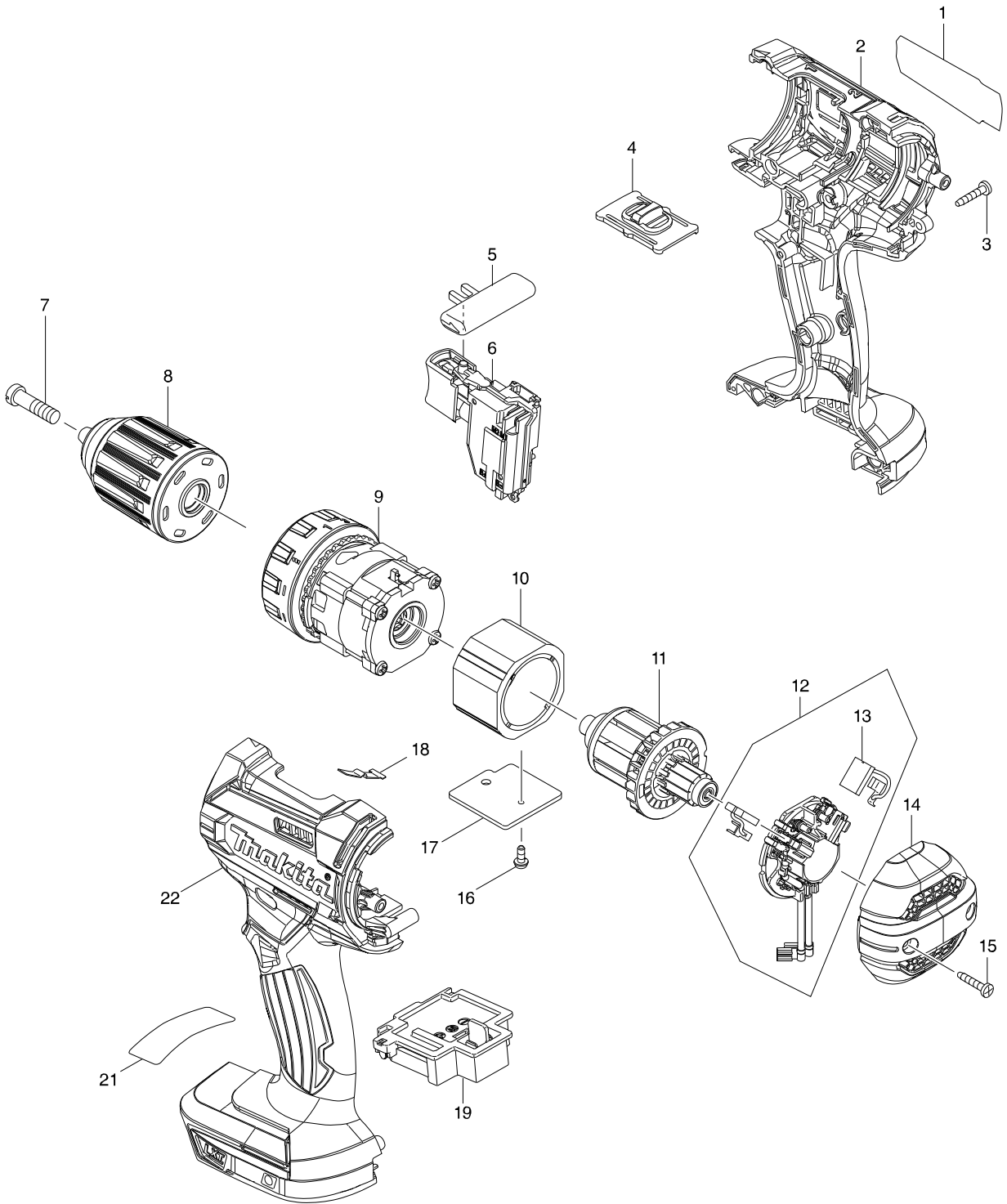


Model No. DDF482 CORDLESS DRIVER DRILL



Model No. DDF482 CORDLESS DRIVER DRILL

| Item | Parts No. | Description | I/C | QTY | N/O | Opt. 1 | Opt. 2 | NOTE |
|--------|-----------|--------------------------------|-----|-----|-----|--------|--------|------|
| 001 | 851E35-2 | DDF482 NAME PLATE | | 1 | | | | |
| 002 | 183B65-0 | HOUSING SET | | 1 | | | | |
| C10 | 263005-3 | RUBBER PIN 6 | | 2 | | | | |
| D10 | | INC. 22 | | | | | | |
| 003 | 266429-2 | TAPPING SCREW 3X16 | | 9 | | | | |
| 004 | 123442-2 | SPEED CHANGE LEVER ASSEMBLY | | 1 | | | | |
| C10 | 233438-6 | COMPRESSION SPRING 4 | | 2 | | | | |
| 005 | 419041-9 | F/R CHANGE LEVER | | 1 | | | | |
| 006 | 650753-7 | SWITCH C3HA-Z1A-TLF1MS | | 1 | | | | |
| C10 | 620444-4 | LED CIRCUIT | | 1 | | | | |
| 007 | 251468-5 | - FLAT HEAD SCREW M6X22 | | 1 | | | | |
| 008 | 766027-7 | KEYLESS DRILL CHUCK 13 | | 1 | | | | |
| 009 | 123444-8 | GEAR ASSEMBLY | | 1 | | | | |
| 010 | 632F32-1 | YOKE UNIT | | 1 | * | | | |
| 010-1 | 632J70-7 | YOKE UNIT | < | 1 | | | | |
| 011 | 619380-9 | ARMATURE | | 1 | | | | |
| 012 | 632F22-4 | BRUSH HOLDER COMPLETE | | 1 | | | | |
| D10 | | INC. 13 | | | | | | |
| 013 | 194427-5 | CARBON BRUSH CB-440 | | 1 | | | | |
| 014 | 456099-7 | REAR COVER | | 1 | | | | |
| 015 | 266429-2 | TAPPING SCREW 3X16 | | 2 | | | | |
| 016A | 911006-2 | PAN HEAD SCREW M3X8 | | 1 | * | | | |
| 016B | 911006-2 | PAN HEAD SCREW M3X8 | | 1 | * | | | |
| 016C | 911006-2 | PAN HEAD SCREW M3X8 | | 1 | * | | | |
| 016-1A | 652066-2 | +PAN HEAD SCREW M3X9 WITH W | < | 1 | | | | |
| 016-1B | 652066-2 | +PAN HEAD SCREW M3X9 WITH W | < | 1 | | | | |
| 016-1C | 652066-2 | +PAN HEAD SCREW M3X9 WITH W | < | 1 | | | | |
| 016-1D | 652066-2 | +PAN HEAD SCREW M3X9 WITH W | | 1 | | | | |
| 017 | 689070-8 | HEAT SINK | | 1 | | | | |
| 018 | 232182-2 | LEAF SPRING | | 1 | | | | |
| 019 | 644808-8 | TERMINAL | | 1 | | | | |
| 022 | 183B65-0 | HOUSING SET | | 1 | | | | |
| C10 | 263005-3 | RUBBER PIN 6 | | 2 | | | | |
| D10 | | INC. 2 | | | | | | |
| A01 | 251314-2 | + SCREW M4X12 | | 1 | | | | |
| A02 | 346317-0 | HOOK | | 1 | | | | |
| A03 | 784637-8 | +/- BIT 2-45 | | 1 | | | | |
| A04A | 141856-3 | PLASTIC CARRYING CASE COMPLETE | | 1 | | | | |
| C10 | 162302-3 | LATCH | | 2 | | | | |
| C20 | 324207-7 | SHAFT | | 1 | | | | |
| C30 | 451749-9 | HANDLE | | 1 | | | | |
| A04C | 141856-3 | PLASTIC CARRYING CASE COMPLETE | | 1 | | | | |
| C10 | 162302-3 | LATCH | | 2 | | | | |
| C20 | 324207-7 | SHAFT | | 1 | | | | |
| C30 | 451749-9 | HANDLE | | 1 | | | | |
| A04D | 821695-4 | PLASTIC CASE | | 1 | | | | |
| C10 | 452143-8 | SHAFT | | 2 | | | | |
| C20 | 455522-9 | SLIDE LATCH | | 2 | | | | |

