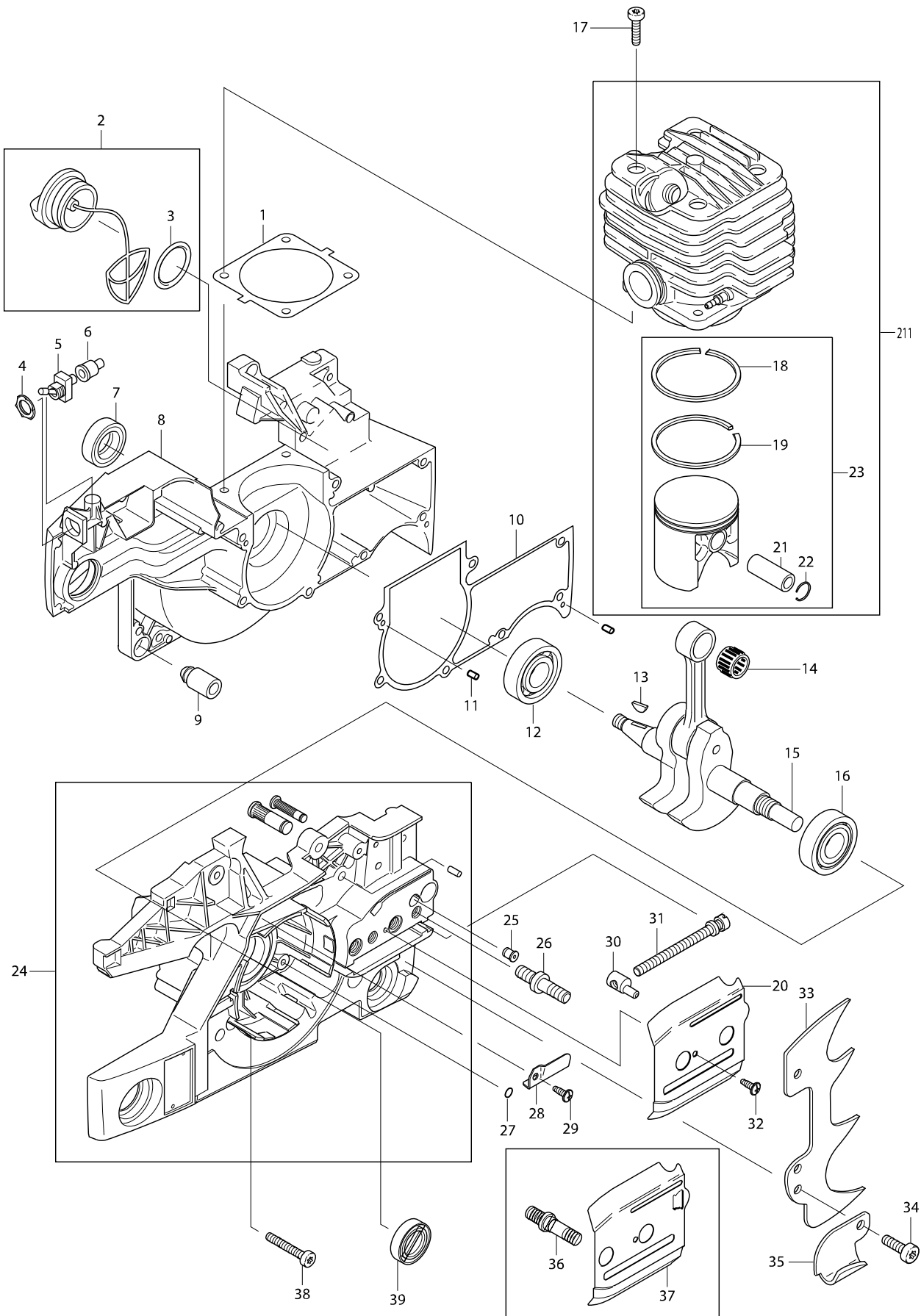
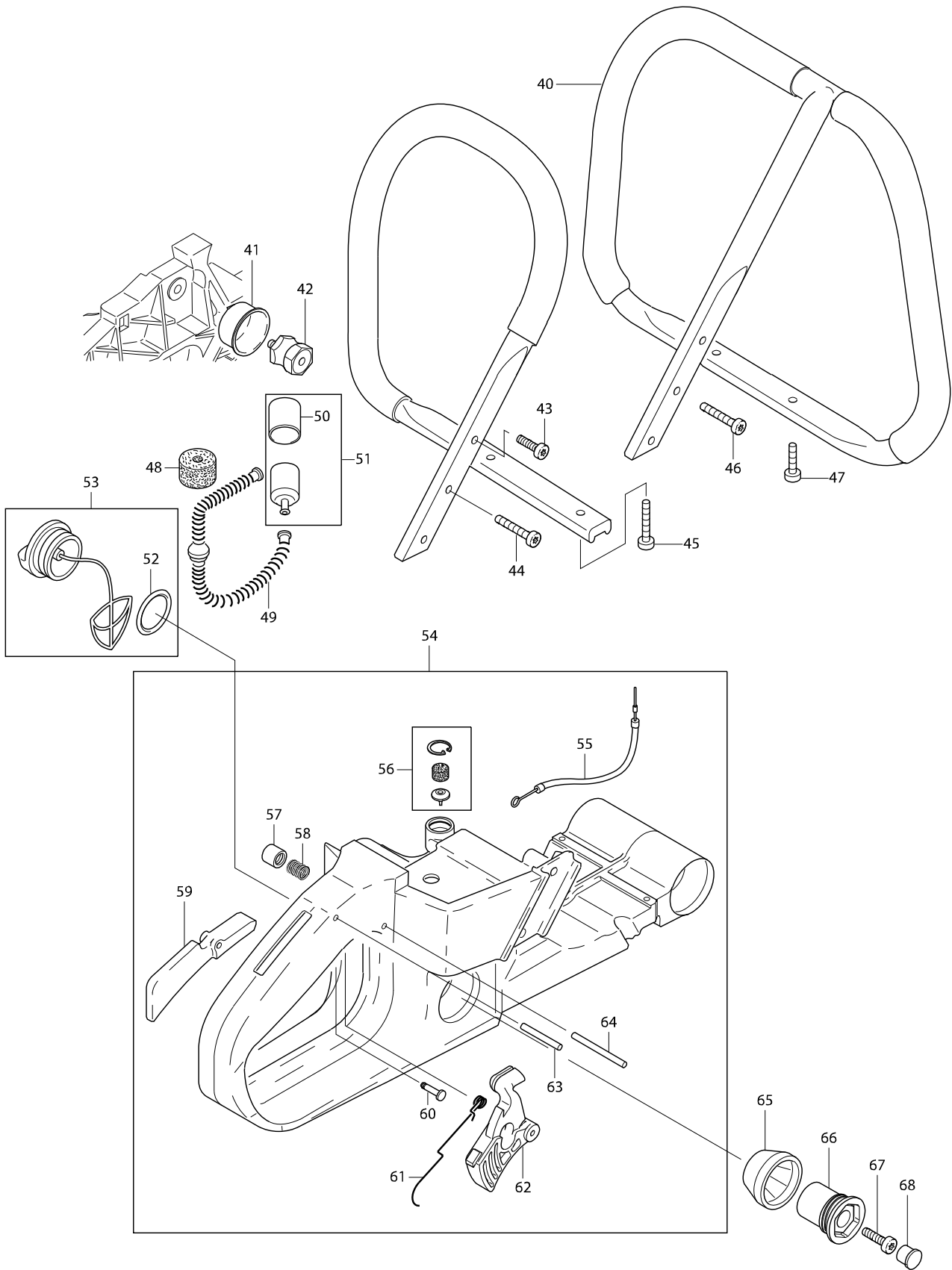


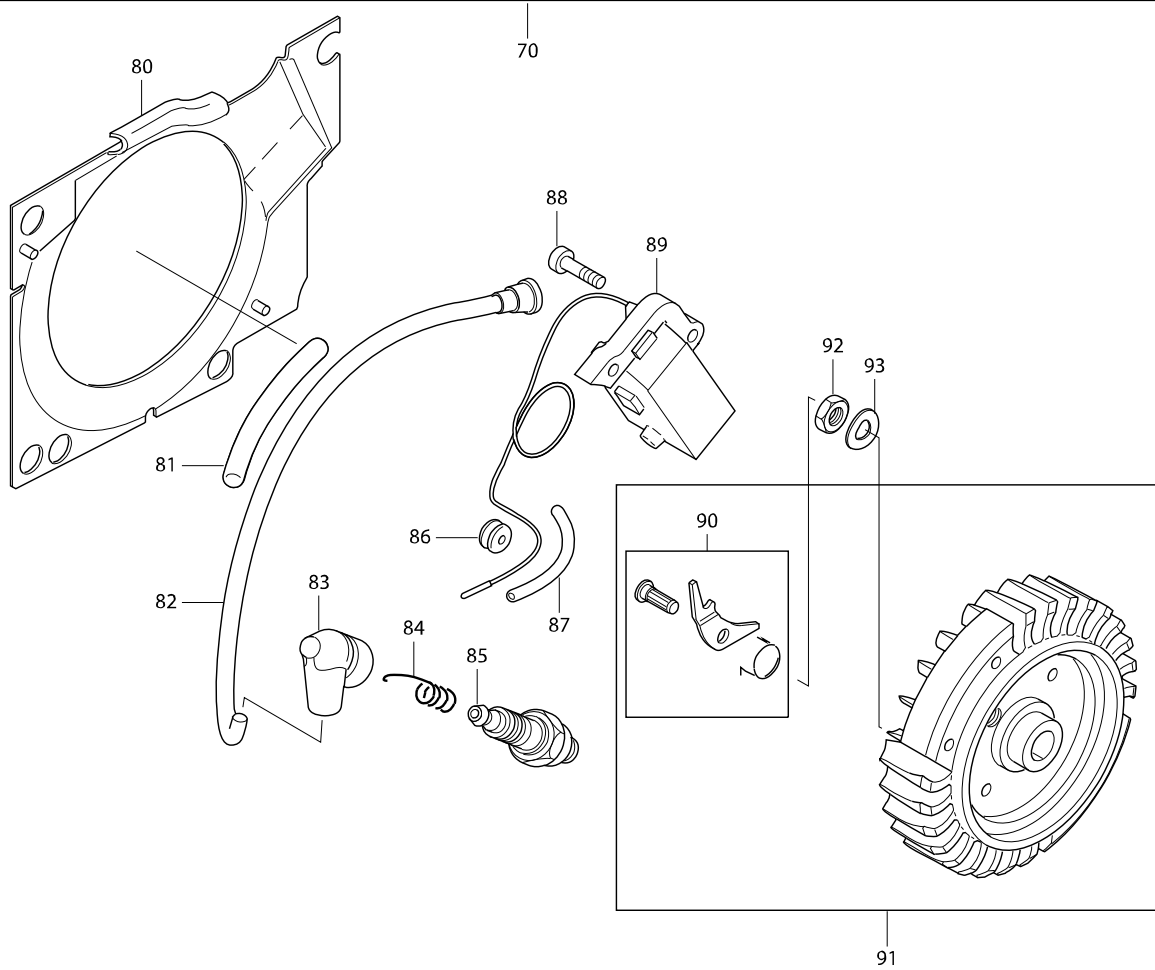
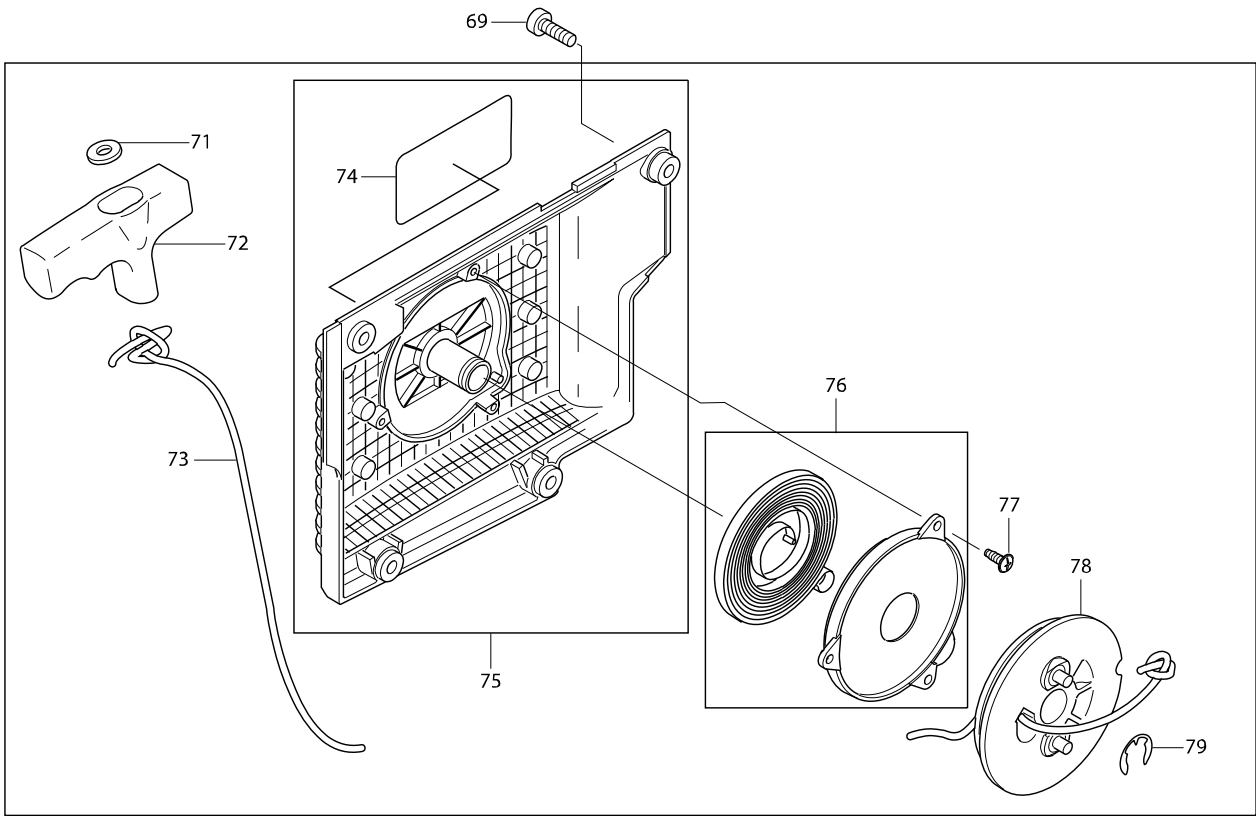
Model No. DCS9010 ENGINE CHAIN SAW



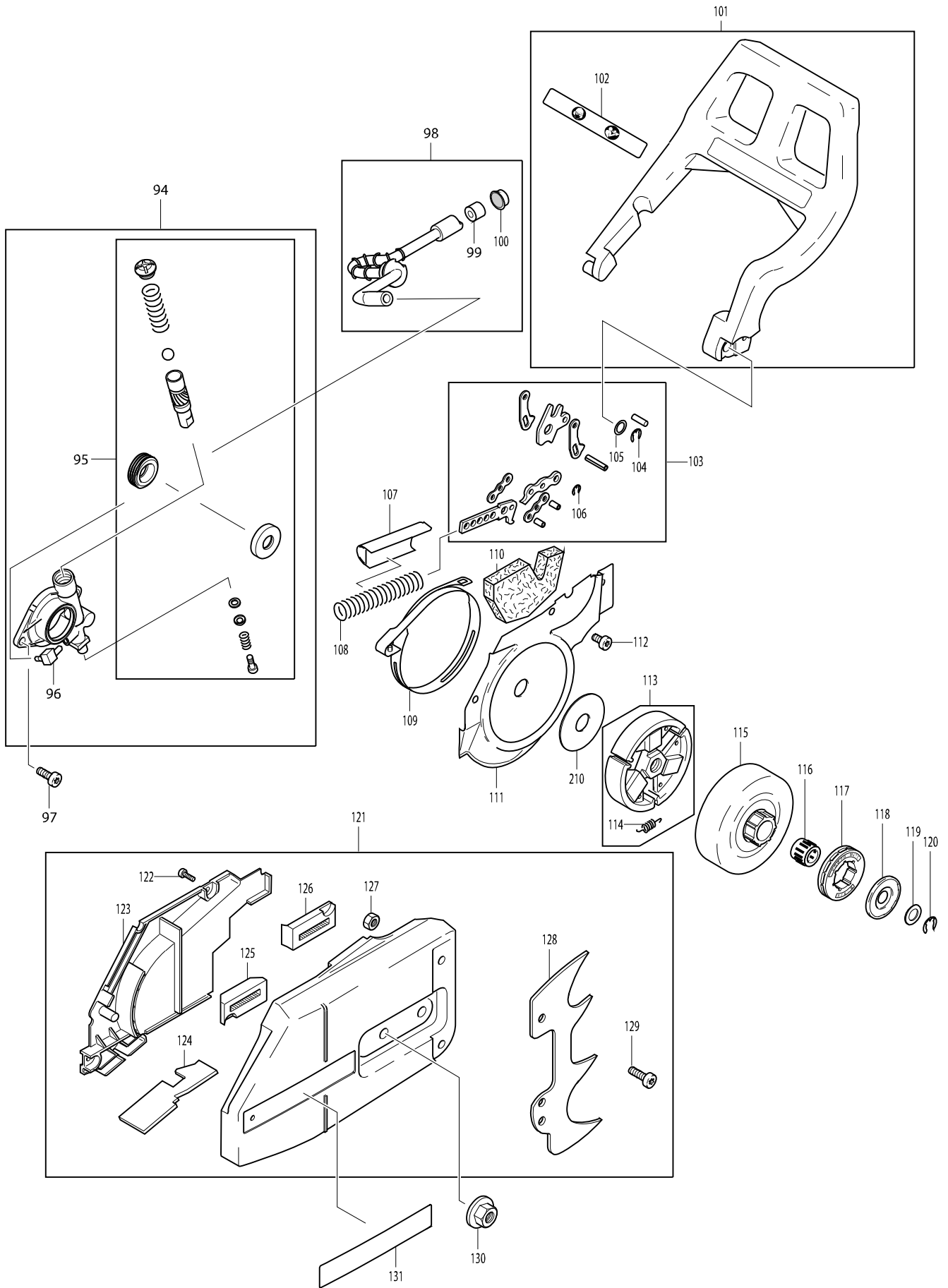
Model No. DCS9010 ENGINE CHAIN SAW



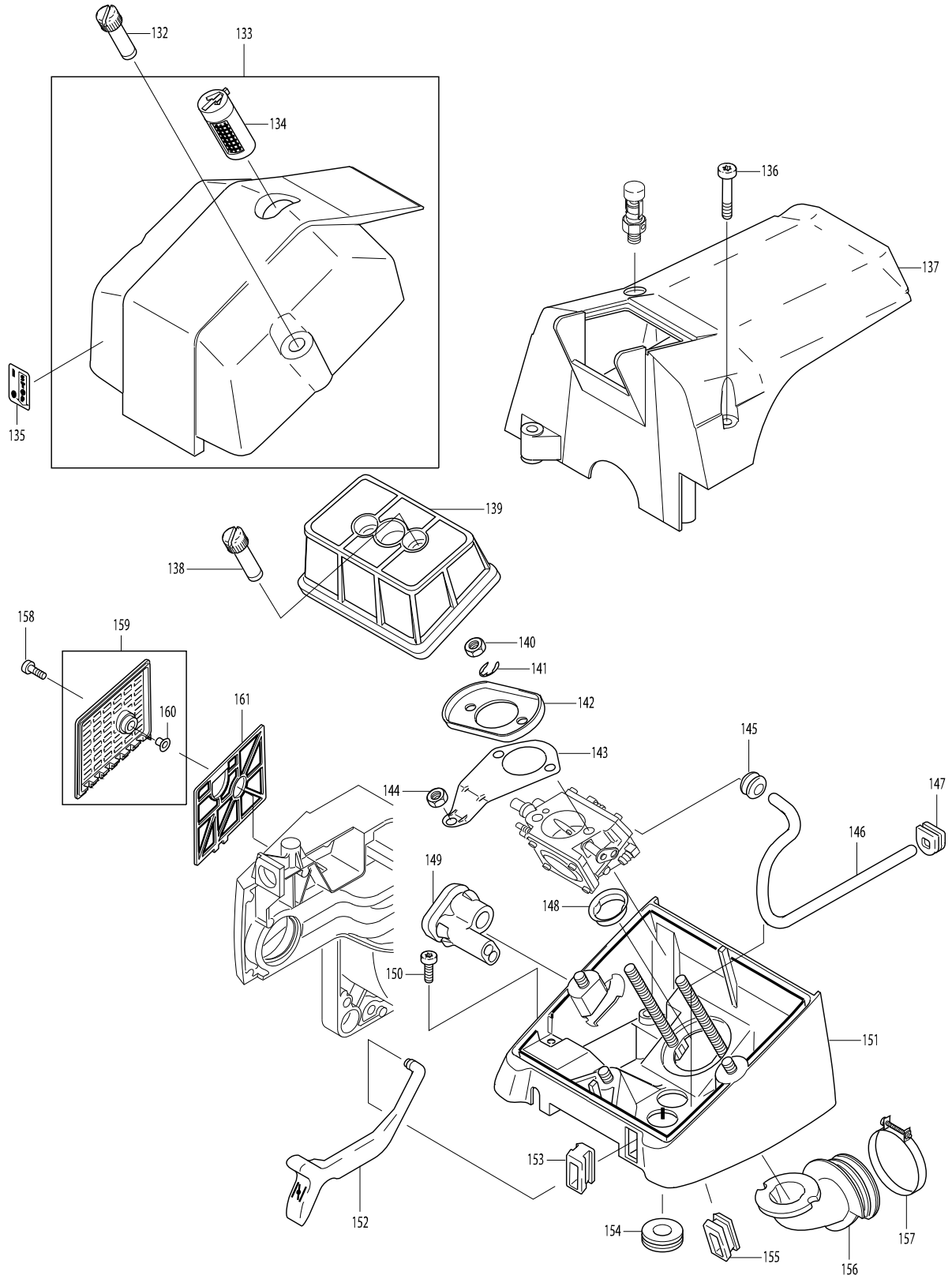
Model No. DCS9010 ENGINE CHAIN SAW



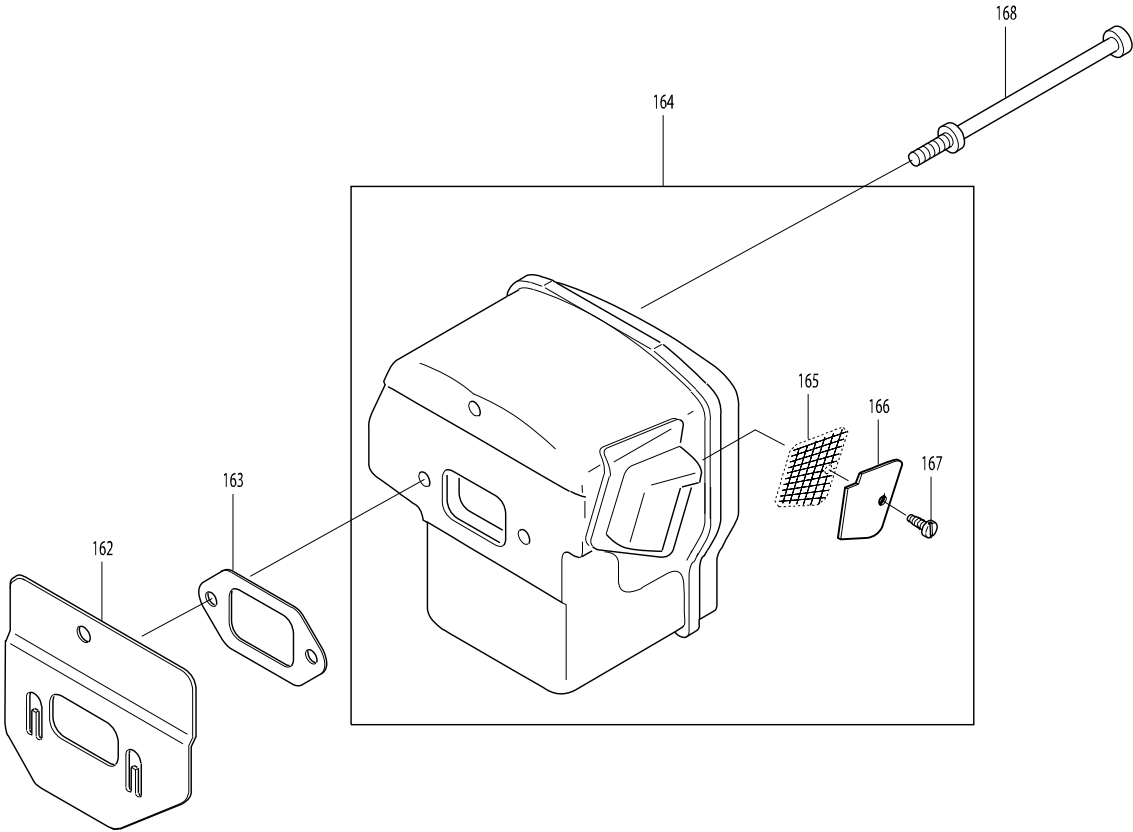
Model No. DCS9010 ENGINE CHAIN SAW



Model No. DCS9010 ENGINE CHAIN SAW

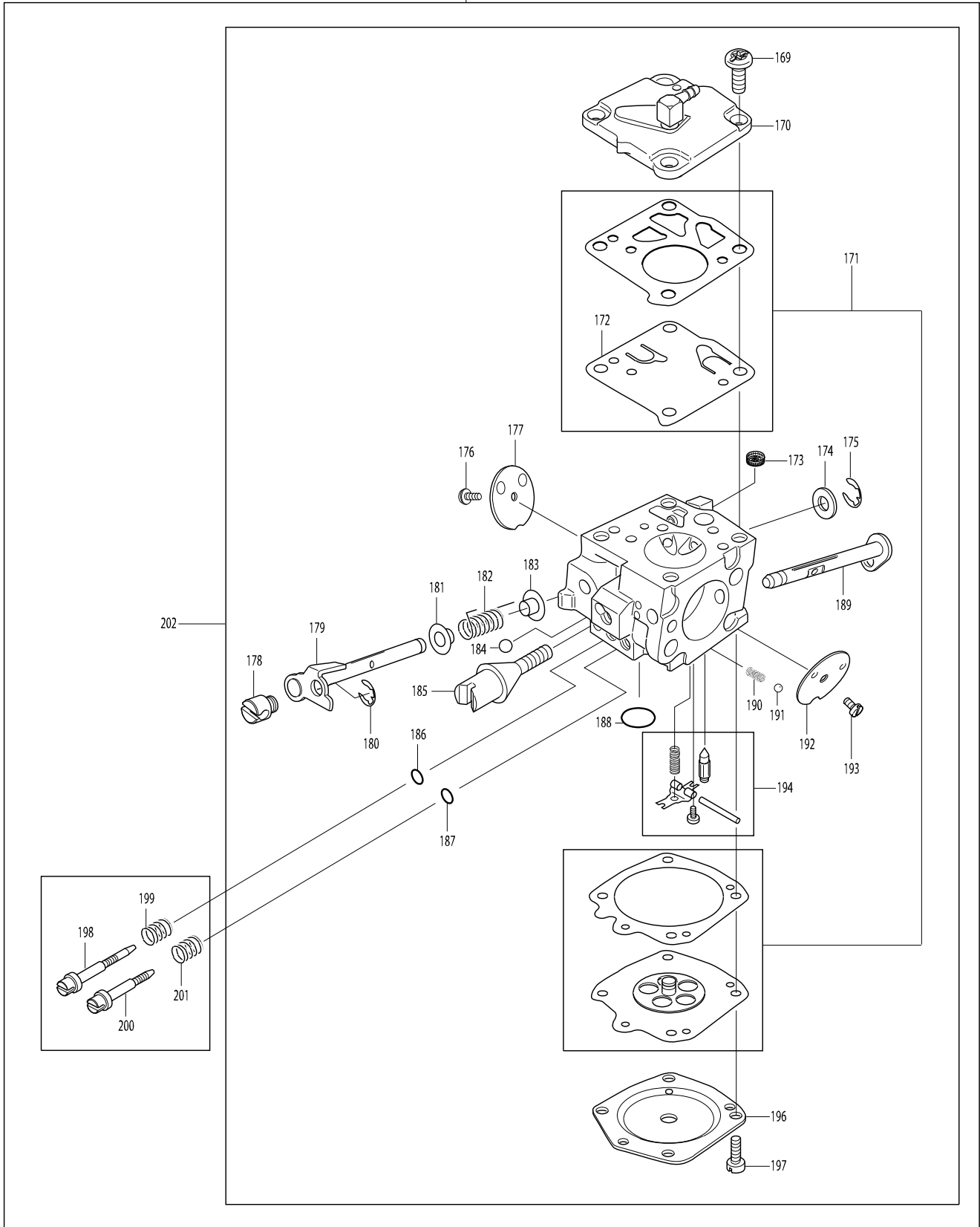


Model No. DCS9010 ENGINE CHAIN SAW

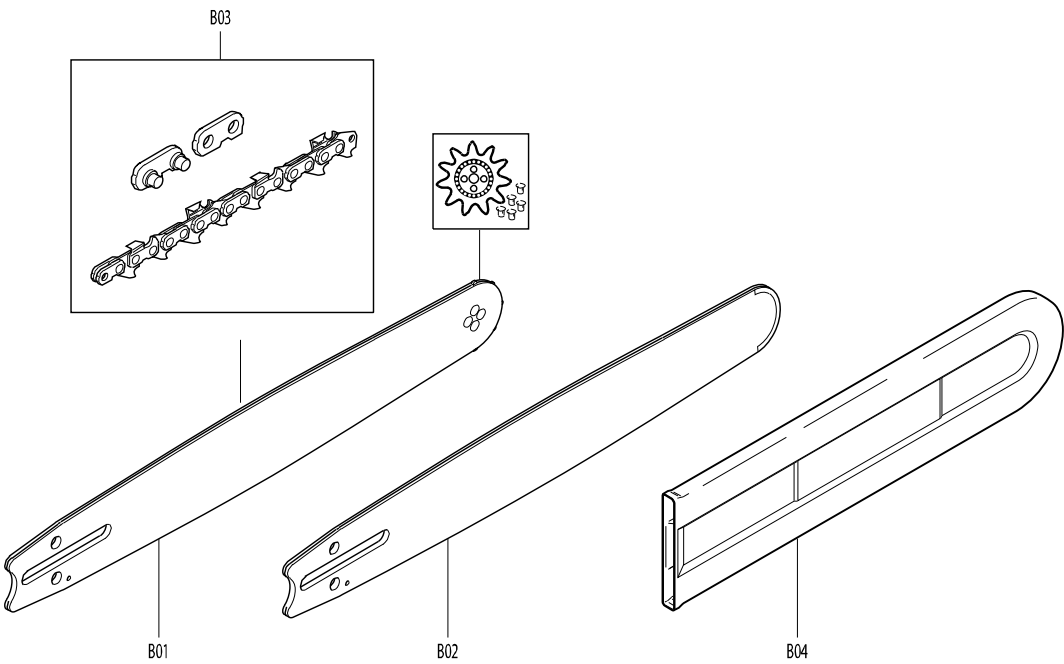


Model No. DCS9010 ENGINE CHAIN SAW

203



Model No. DCS9010 ENGINE CHAIN SAW



Model No. DCS9010 ENGINE CHAIN SAW

Item	Parts No.	Description	I/C	QTY	N/O	Opt. 1	Opt. 2	NOTE
001	965525060	GASKET		1				
002	010114050	TANK CAP ASSY.(FUEL)		1				
D10		INC. 3						
003	963228030	O-RING 28		1				
004	965605120	NUT		1				
005	965605400	STOP SWITCH		1				
006	965605131	RUBBER BUSH		1				
007	962900054	RADIAL RING		1				
008	024111621	CRANKCASE,MAG. SIDE		1				
009	965403370	RUBBER BUFFER		1				
010	965525070	GASKET		1				
011	936430160	SPIRAL CLAMPING PIN		2				
012	960102179	BALL BEARING 6203		1				
013	939630370	KEY		1				
014	962210028	NEEDLE CAGE		1				
015	024120022	CRANKSHAFT		1				
016	960102179	BALL BEARING 6203		1				
017	908005205	FILLISTER HEAD SCREW M5X20		4				
018	133132050	PISTON RING		1				
019	133132050	PISTON RING		1				
020	024111071	GUIDE PLATE		1				
021	031132020	PISTON PIN		1				
022	119132060	SPRING RING		2				
023	024132020	PISTON CPL.		1				
D10		INC. 18-19						
024	024111640	CRANKCASE,CLUTCH SIDE		1				
D10		INC. 25-29, 38-39						
025	010245010	VENT VALVE, OIL		1				
026	024232030	BOLT		2				
027	963204015	PACKING RING		1				
028	024111100	SAFETY PLATE		1				
029	915735100	SCREW M3.5X10		1				
030	001213170	NUT WITH PIVOT		1				
031	001213160	TENSIONING SCREW		1				
032	915735100	SCREW M3.5X10		1				
033	024250030	SPIKE BAR		1				
034	908006145	FILLISTER HEAD SCREW 6X14		2				
035	024111050	CHAIN CATCH		1				
036	024232040	BOLT		2				
037	024111031	GUIDE PLATE		1				
038	908005305	FILLSTER HEAD SCREW M5X30		7				
039	962900054	RADIAL RING		1				
040	024310100	WRAP AROUND HANDLE ASSY.		1				
041	965551250	POT		1				
042	965403430	RUBBER BUFFER		1				
043	908005165	FILLISTER HEAD SCREW M5X16		1				
044	913455304	SCREW M5.5X30		1				
045	913455304	SCREW M5.5X30		1				

Model No. DCS9010 ENGINE CHAIN SAW

Item	Parts No.	Description	I/C	QTY	N/O	Opt. 1	Opt. 2	NOTE
046	913455304	SCREW M5.5X30		2				
047	913455204	FILLISTER HEAD SCREW 5.5X20		2				
048	965404520	GASKET		1	*			
048-1	965404521	GASKET	O	1				
049	965404700	FUEL LINE		1				
050	963601240	FELT		1				
051	963601120	SUCTION HEAD		1				
052	963232045	PACKING RING		1				
053	965451901	TANK PLUG ASSY.(FUEL)		1				
D10		INC. 52						
054	024114630	TANK ASSY.(FUEL)		1				
D10		INC. 55-64						
055	965725041	BOWDEN CABLE		1				
056	957114010	VENT VALVE ASSY.		1	*			
056-1	957114011	VENT VALVE ASSY.	O	1				
057	965451750	BUTTON		1				
058	965551160	PRESSURE SPRING		1				
059	024117020	CATCH LEVER		1				
060	965551150	STOP PIN		1				
061	024117031	SPRING		1				
062	024117010	THROTTLE LEVER		1				
063	935930280	CYLINDRICAL PIN 3X28		1				
064	935930450	CYLINDRICAL PIN		1				
065	965404720	BUSH		4				
066	965403461	RUBBER BUFFER		4				
067	913455204	FILLISTER HEAD SCREW 5.5X20		4				
068	965404740	PLUG		4				
069	908005165	FILLISTER HEAD SCREW M5X16		4				
070	024112630	STARTER ASSY.		1				
D10		INC. 71-79						
071	928405000	SPRING WASHER		1				
072	965402262	STARTER GRIP		1				
073	985000165	STARTER ROPE		1				
074	980114217	LABEL		1				
075	024112680	FAN HOUSING		1				
D10		INC. 74						
076	020163031	REWIND SPRING		1				
077	915135100	THREAD FORMING SCREW 3.5X9.5		3				
078	024162081	CABLE DLUM		1	*			
078-1	024162084	CABLE DLUM	O	1				
079	929314100	SNAP RING		1				
080	024112021	AIR DUCT		1				
081	970502110	INSULATING HOSE		1				
082	970310200	IGNITION CABLE 14-1/8"		1				
083	957604260	PLUG CAP CPL.		1				
D10		INC. 84						
084	965604180	SPRING		1				
085	965603021	SPARK PLUG BPMR7A		1				

Model No. DCS9010 ENGINE CHAIN SAW

Item	Parts No.	Description	I/C	QTY	N/O	Opt. 1	Opt. 2	NOTE
086	965401011	RUBBER BUSHING		1				
087	970502050	TUBE		1				
088	908605205	SCREW M5X20		2				
089	024143050	IGNITION COIL		1				
090	031166010	STARTER RATCHET CPL.		2				
091	024141210	FLY WHEEL ASSY.		1				
D10		INC. 90						
092	920308024	HEXAGONAL NUT M8		1				
093	926208001	SPRING WASHER 8		1				
094	024245100	OIL PUMP ASSY.		1				
D10		INC. 95-96						
095	957245360	REPAIR KIT		1				
096	963608100	ANGLAR NIPPLE		1				
097	908005125	FILLISTER HEAD SCREW M5X12		2				
098	024245200	OIL SUCTION LINE ASSY.		1				
D10		INC. 99-100						
099	900005066	DISTANCE RING		1				
100	963601100	SCREEN		1				
101	024213180	HAND PROTECTION		1				
D10		INC. 102						
102	980114237	LABEL		1				
103	010213021	BRAKING MECHANISM CPL.		1				
D10		INC. 104-106						
104	927306000	SAFETY WASHER		1				
105	900004364	SPACER		1				
106	927304000	SAFETY WASHER		1				
107	024111061	SPRING GRINDING HEAD		1				
108	024213321	SPRING		1				
109	024213351	BRAKE SPRING		1				
110	965404800	COVER FORM PLATE		1				
111	024213101	PLATE		1				
112	908005125	FILLISTER HEAD SCREW M5X12		4				
113	010180110	CLUTCH ASSY.		1				
114	024184021	TENSION SPRING		3	*			
114-1	181184020	TENSION SPRING	O	3				
115	024223041	CLUTCH DLUM		1				
116	962210024	NEEDLE CAGE		1				
117	119224070	RIM SPROCKET		1				
118	001224011	DISC		1				
119	021224010	SHIM		1	*			
119-1	021224011	SHIM	O	1				
120	927308000	SAFETY WASHER		1				
121	024213690	SPROCKET GUARD CPL.		1				
D10		INC. 122-129						
122	915735100	SCREW M3.5X10		3				
123	024213221	CHAIN GUIDE		1				
124	965404761	RUBBER PLATE		1				
125	024213240	CHAIN GUIDE		1				

Model No. DCS9010 ENGINE CHAIN SAW

Item	Parts No.	Description	I/C	QTY	N/O	Opt. 1	Opt. 2	NOTE
126	024213240	CHAIN GUIDE		1				
127	922606000	SAFETY NUT		2				
128	024250030	SPIKE BAR		1				
129	908006145	FILLISTER HEAD SCREW 6X14		2				
130	923208004	HEXAGONAL NUT M8		2				
131	980114739	LABEL DCS9010		1				
132	024173200	NUT		2				
133	024118111	COVER ASSY.		1				
135	980113841	LABEL		1	*			
135-1	980115888	LABEL	O	1				
136	908305255	SCREW M5X25		3				
137	024118121	HOOD		1				
138	024173200	NUT		2				
139	024173230	AIR FILTER CPL.		1				
140	920205000	HEXAGONAL NUT M5		2				
141	928105000	SAFETY WASHER		2				
142	024173160	HOLDER FOR AIR FILTER		1				
143	024150170	SHEET-METAL HOLDER		1				
144	920205000	HEXAGONAL NUT M5		1				
145	965401011	RUBBER BUSHING		1				
146	965452060	TUBE		1				
147	965401016	RUBBER BUSH		1				
148	024131031	INSERT FOR SUCTION HOSE		1	*			
148-1	024131032	INSERT FOR SUCTION HOSE	O	1				
149	024118160	ADJUSTING GUIDE		1				
150	908005165	FILLISTER HEAD SCREW M5X16		4				
151	024118032	BOTTOM		1				
152	024150020	CHOKE SHAFT		1				
153	965401021	RUBBER BUSH		1				
154	965401024	RUBBER BUSH		1				
155	965401021	RUBBER BUSH		1				
156	024131022	SUCTION HOSE		1				
157	965603050	CLAMP		1				
158	908605145	FILLISTER HEAD SCREW M5X14		1				
159	024173610	COVER FOR PRE-FILTER		1				
161	024173081	PRE-FILTER		1				
162	024174040	COVER PLATE		1				
163	965525101	GASKET		1				
164	024174153	MUFFLER ASSY.		1				
166	024174171	DEFLECTOR PLATE		1				
167	915142090	SCREW 4.2X9.5		1				
168	024174020	SPECIAL SCREW		3				
169	394150170	SCREW		4				
D10		INC. 170-190						
170	024150160	PUMP COVER CPL.		1				
171	957150100	SET DIAPHRAGM / GASKETS		1				
172	113150150	PUMP DIAPHRAGM, RUBBER		1				
173	394150180	SCREEN		1				

Model No. DCS9010 ENGINE CHAIN SAW

Item	Parts No.	Description	I/C	QTY	N/O	Opt. 1	Opt. 2	NOTE
174	122151400	DISC		1				
175	100150350	SAFETY WASHER		1				
176	001150650	SCREW		1				
177	024150320	THROTTLE SHUTTER		1				
178	024150100	HOLDER FOR BORDEN CABLE		1				
179	024150300	THROTTLE SHAFT		1				
180	024150110	SAFETY WASHER		1				
181	144151315	BUSHING		1				
182	001150310	SPRING		1				
183	144151315	BUSHING		1				
184	001150510	LOCKING BALL		4				
185	394150570	IDLE STOP SCREW(S)		1				
186	394150180	SCREEN		1				
187	394150180	SCREEN		1				
188	113150040	COVER DISC		1				
189	144151480	SPRING		1				
190	101150080	LOCKING SPRING		1				
191	113150380	LOCKING BALL		1				
192	113150261	CHOKE SHUTTER		1				
193	001150650	SCREW		1				
194	957150190	SET OF CONTROL PARTS		1				
196	001150520	SCREW		4				
197	122151121	DIAPHRAGM COVER		1				
198	024150470	IDLE ADJUSTMENT SCREW(L)		1				
199	144151480	SPRING		1				
200	024150510	MAIN ADJUSTMENT SCREW(H)		1				
201	144151480	SPRING		1				
202	024150030	CARBURETOR		1				
D10		INC. 169-197						
210	024182060	GUIDE DISC		1	*			
210-1	001182042	DISC	O	1				
211	024130300	CYLINDER/PISTON ASSY.		1				
D10		INC. 17-23						
B01	443050652	SPROCKET NOSE BAR 20"		1				
B01A_	443060652	SPROCKET NOSE BAR 24"		1				
B02	443050452	SOLID NOSE BAR 20"		1				
B02A_	443060452	SOLID NOSE BAR 24"		1				
B02B_	443074452	SOLID NOSE BAR 29"		1				
B03	528099672	SAW CHAIN 20"		1				
B03A_	528099680	SAW CHAIN 24"		1				
B03B_	528099696	SAW CHAIN 29"		1				
B04	952100653	CHAIN PROT. COVER 21"-24"		1	*			
B04-1	952020660	CHAIN PROT. COVER 21"-24"	O	1				
B04A_	952100171	CHAIN PROT. COVER 25"-33"		1				