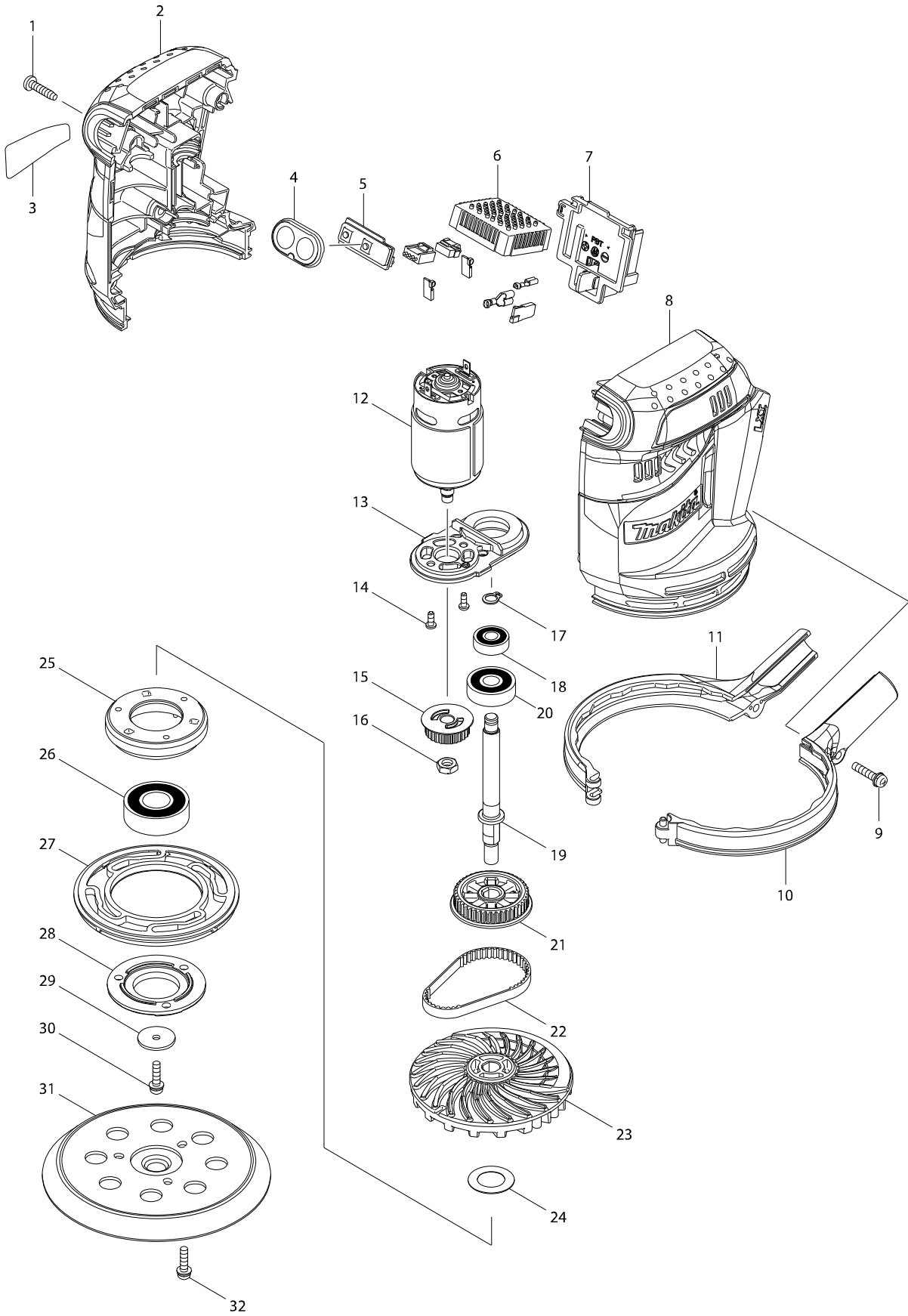


Model No. DBO180 125MM CRDLS RNDM ORBIT SANDER



Model No. DBO180 125MM CRDLS RNDM ORBIT SANDER

Item	Parts No.	Description	I/C	QTY	N/O	Opt. 1	Opt. 2	NOTE
001	265995-6	TAPPING SCREW 4X18		5				
002	187423-0	HOUSING SET		1				
C10	263005-3	RUBBER PIN 6		2				
D10		INC. 8						
003	815F52-2	DBO180 NAME PLATE		1				
004	141419-5	SWITCH PLATE COMPLETE		1				
005	620115-3	SWITCH UNIT		1				
006	638789-6	CONTROLLER UNIT		1				
007	644808-8	TERMINAL		1				
008	187423-0	HOUSING SET		1				
C10	263005-3	RUBBER PIN 6		2				
D10		INC. 2						
009	911138-5	PAN HEAD SCREW M4X20		1				
010	187360-8	SKIRT SET		1				
D10		INC. 11						
011	187360-8	SKIRT SET		1				
D10		INC. 10						
012	629952-2	DC MOTOR		1				
013	453632-6	MOTOR BRACKET		1				
014	265199-0	+ PAN HEAD SCREW M3X8		2				
015	222175-7	PULLEY 7.5-24.1		1				
016	931303-0	HEX. NUT M6		1				
017	961003-8	RETAINING RING S-7		1				
018	210062-2	BALL BEARING 607ZZ		1				
019	326168-7	SPINDLE		1				
020	211092-6	BALL BEARING 629DDW		1				
021	222176-5	PULLEY 7.5-40.3		1				
022	225095-4	SYNCHRO BELT 6-174		1				
023	240136-5	FAN 88		1				
024	267164-5	FLAT WASHER 15		1				
025	318304-9	BEARING BOX		1				
026	211228-7	BALL BEARING 6202DDW		1				
027	424131-5	BRAKE RING		1				
028	318303-1	BEARING BOX COVER		1				
029	253739-6	FLAT WASHER 4		1				
030	911128-8	PAN HEAD SCREW M4X16		1				
031	743081-8	PAD 123		1				
032	911128-8	PAN HEAD SCREW M4X16		3				
A01	166078-4	DUST BAG		1				
A02	257202-1	RING 25		1				
A03	416063-0	DUST BAG NOZZLE		1				
A04	416064-8	DUST NOZZLE		1				
A05	794544-7	ABRASIVE DISC 125 #120		1				