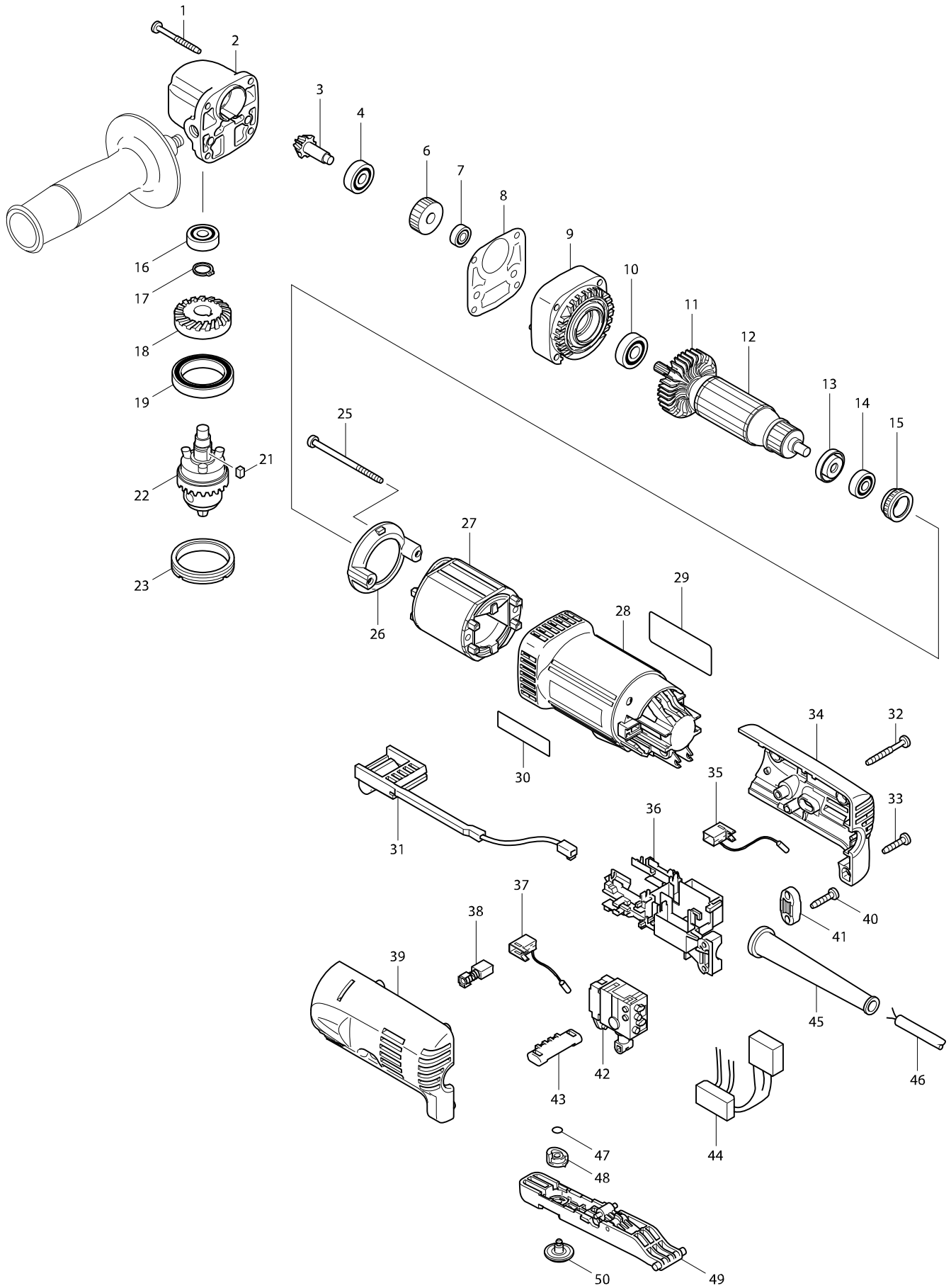


# Model No. DA3010F ANGLE DRILL 10MM



# Model No. DA3010F ANGLE DRILL 10MM

Item	Parts No.	Description	I/C	QTY	N/O	Opt. 1	Opt. 2	NOTE
001	266048-4	TAPPING SCREW 4X40		4				
002-1	317635-3	GEAR HOUSING		1				
003	227436-0	SPIRAL BEVEL GEAR 9		1				
004-1	210029-0	BALL BEARING 608ZZ		1				
006	226567-2	HELICAL GEAR 28		1				
007	210026-6	BALL BEARING 696ZZ		1				
008	418036-9	GASKET		1				
009	418042-4	GEAR HOUSING COVER		1				
010	211051-0	BALL BEARING 609LLB		1				
011	240061-0	FAN 48		1				
012	517583-8	ARMATURE ASS'Y 220-240V		1				
D10		INC. 10,11,13,14						
013	681636-0	INSULATION WASHER		1				
014	211021-9	BALL BEARING 607LLB		1				
015	421494-0	RUBBER RING 19		1				
016-1	210029-0	BALL BEARING 608ZZ		1				
017	961052-5	RETAINING RING S-12		1				
018	227437-8	SPIRAL BEVEL GEAR 26		1				
019	211419-0	BALL BEARING 6806DDW		1	*			
019-1	211423-9	BALL BEARING 6806DDW	O	1				
021	254201-4	KEY 4		1				
022	763174-5	DRILL CHUCK S10		1				
023	285842-5	BEARING RETAINER 36-43		1				
025	266315-7	TAPPING SCREW MT 4X65		2				
026	418033-5	BAFFLE PLATE		1				
027	635078-0	FIELD		1				
028	183560-8	MOTOR HOUSING		1				
D10		INC. 30						
029	850083-8	NAME PLATE DA3010F		1				
030	819063-3	MAKITA LABEL		1				
031	631516-0	LED CIRCUIT		1				
032	266053-1	TAPPING SCREW 4X35		1				
033	265995-6	TAPPING SCREW 4X18		3				
034	183559-3	REAR COVER SET		1				
D10		INC. 39						
035	643802-7	BRUSH HOLDER		1				
036	687139-2	SUPPORT		1				
037	643802-7	BRUSH HOLDER		1				
038	191962-4	CARBON BRUSH CB-419		1				
039	183559-3	REAR COVER SET		1				
D10		INC. 34						
040	265995-6	TAPPING SCREW 4X18		2				
041	687063-9	CORD CLAMP		1				
042	650539-9	SWITCH TG803BSA-1		1				
043	418038-5	F/R CHANGE LEVER		1				
044	631527-5	POWER SUPPLY CIRCUIT		1				
045	682559-5	CORD GUARD 8		1				
046	666066-6	POWER SUPPLY CORD 1.0-2-2.5		1				

Item	Parts No.	Description	I/C	QTY	N/O	Opt. 1	Opt. 2	NOTE
047	213034-6	O RING 3		1				
048	418040-8	CAM		1				
049	153477-9	SWITCH LEVER COMPLETE		1				
050	418037-7	SPEED CHANGE DIAL		1				
A01	411780-7	KEY HOLDER 10		1				
A02	763415-9	CHUCK KEY S10		1				
A03	152490-4	GRIP 36 COMPLETE		1				