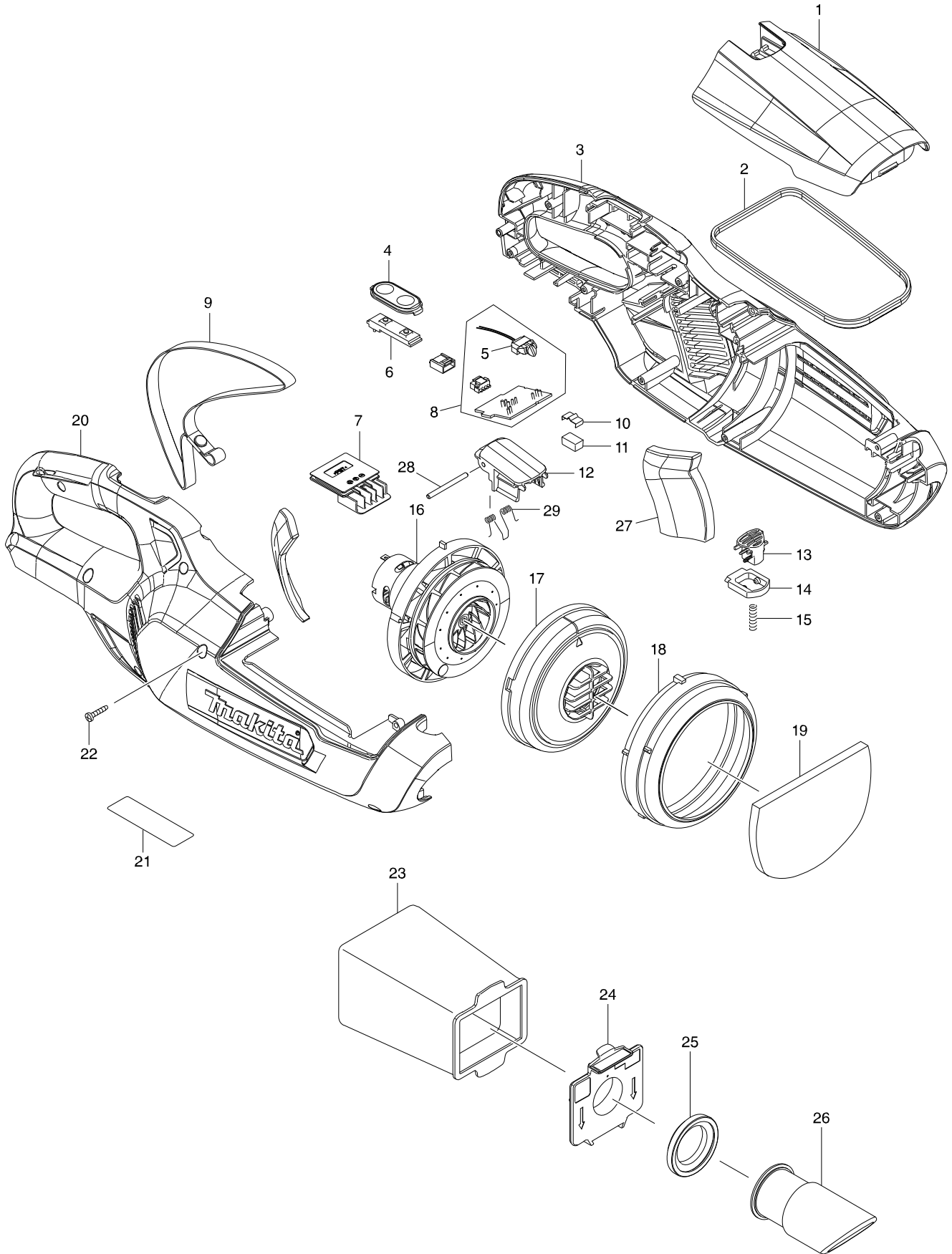


# Model No. CL107FD CORDLESS CLEANER



# Model No. CL107FD CORDLESS CLEANER

Item	Parts No.	Description	I/C	QTY	N/O	Opt. 1	Opt. 2	NOTE
001	457284-5	FRONT COVER		1				
003	183E89-4	HOUSING SET		1				
D10		INC. 20						
004	144096-2	SWITCH PLATE COMPLETE		1				
005	620601-4	LED CIRCUIT		1				
006	631973-2	SWITCH UNIT		1				
007	644813-5	TERMINAL		1				
008	632H50-1	CONTROLLER UNIT		1				
D10		INC. 5						
010	232264-0	LEAF SPRING		1				
011	424367-6	RUBBER		1				
012	455249-1	FRONT COVER JOINT		1				
013	452363-4	BUTTON		1				
014	452352-9	STOPPER		1				
015	233344-5	COMPRESSION SPRING 4		1				
016	123293-3	MOTOR ASSEMBLY		1				
017	454084-4	FAN COVER		1				
018	424320-2	RUBBER RING		1				
019	424804-0	SUPONGE SHEET 76-110		1				
020	183E89-4	HOUSING SET		1				
D10		INC. 3						
021	852S30-9	CL107FD NAME PLATE		1				
022	266429-2	TAPPING SCREW 3X16		9				
023	166084-9	DUST BAG		1				
024	143677-9	VALVE STAY COMPLETE		1				
025	424094-5	PACKING		1				
026	451400-1	INLET (BLUE)		1				
027	424913-5	SPONGE SHEET 35-70		2				
028	268271-7	PIN 3		1				
029	233580-3	TORSION SPRING 4		1				
A01	123488-8	NOZZLE ASSEMBLY		1				
C10	451410-8	ROLLER		4				
C20	268208-4	PIN 3		4				
C30	424096-1	WIPER		1				
A02	451243-1	SASH NOZZLE		1				
A03	451244-9	PIPE		1				
A04	451245-7	SASH NOZZLE HOLDER		1				
A05	194566-1	PAPER FILTER SET (5PCS/SET)		1				
A06	456128-6	BATTERY COVER		1				
A07	***DC10WD	DC10WD BATTERY CHARGER		1				
D10		COMPO-PARTS						