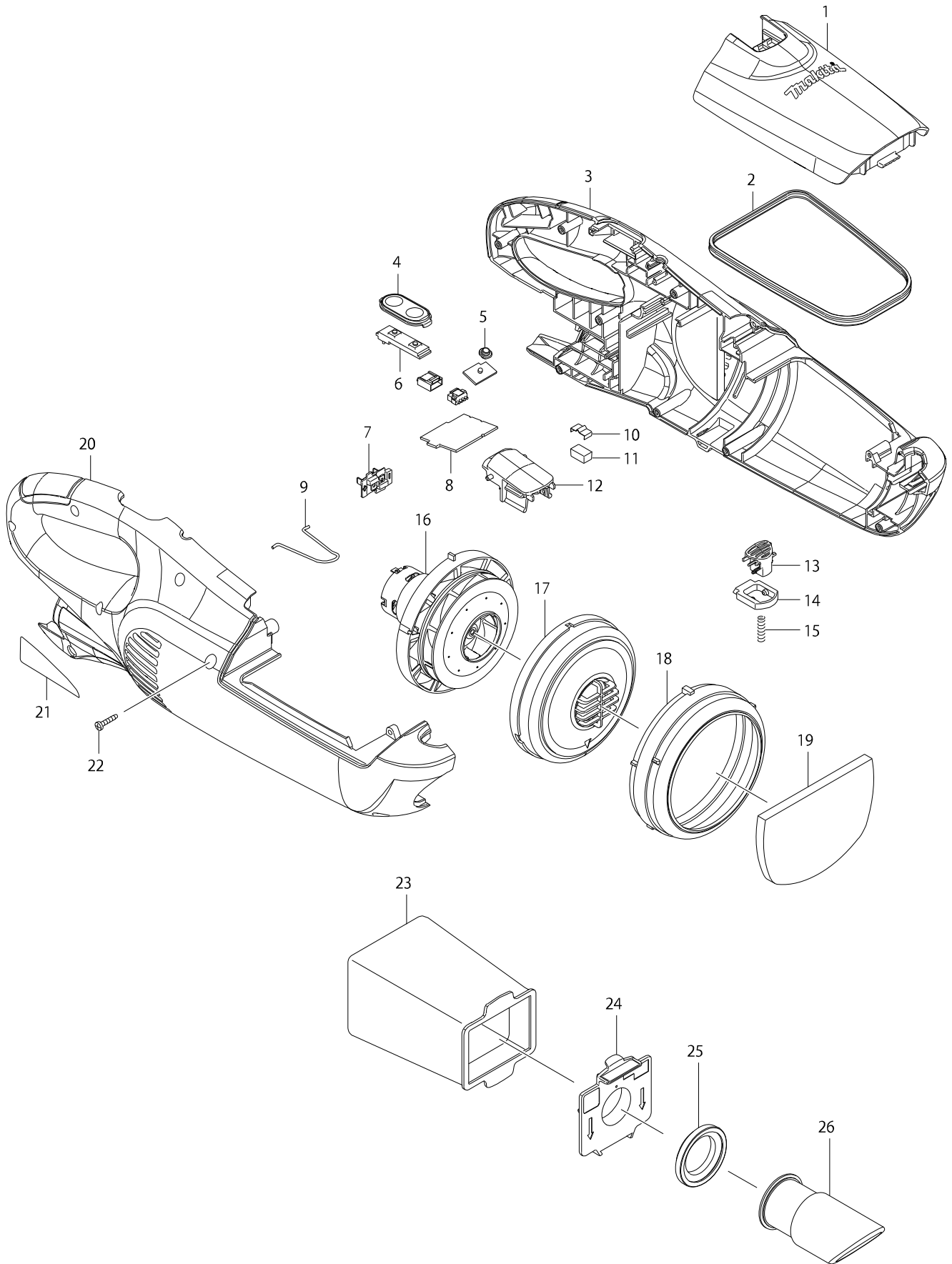


Model No. CL102D CORDLESS CLEANER



Model No. CL102D CORDLESS CLEANER

Item	Parts No.	Description	I/C	QTY	N/O	Opt. 1	Opt. 2	NOTE
001A	452361-8	FRONT COVER		1				
001B	452360-0	FRONT COVER		1				
002	424093-7	SEAL		1				
C10	452359-5	SPONGE SHEET 40-70		2				
D10		INC. 20						
003A	188997-4	HOUSING SET		1				
003B	187000-8	HOUSING SET		1				
004	140463-9	SWITCH PLATE COMPLETE		1				
C10	816528-6	SWITCH LABEL		1				
005	450522-4	LENS		1				
006	631973-2	SWITCH UNIT		1				
007	643817-4	TERMINAL		1				
008	620021-2	CONTROLLER		1	*			
008-1	638889-2	CONTROLLER UNIT	<	1	*			
008-2	632H38-1	CONTROLLER UNIT	<	1				
009	324885-3	HANGER		1				
010	232264-0	LEAF SPRING		1				
011	424367-6	RUBBER		1				
C10	233580-3	TORSION SPRING 4		1	*			
C20	268271-7	PIN 3		1	*			
012A	140720-5	FRONT COVER JOINT COMPLETE		1	*			
012B	140719-0	FRONT COVER JOINT COMPLETE		1	*			
012-1A	452365-0	FRONT COVER JOINT	S	1				
012-1B	452364-2	FRONT COVER JOINT	S	1				
013A	452363-4	BUTTON		1				
013B	452362-6	BUTTON		1				
014	452352-9	STOPPER		1				
015	234205-2	COMPRESSION SPRING 4		1	*			
015-1	233344-5	COMPRESSION SPRING 4	<	1				
016	125862-6	MOTOR ASSEMBLY		1				
C10	240102-2	FAN 82		1				
C20	265199-0	+ PAN HEAD SCREW M3X8		2				
C30	452455-9	BASE		1				
017	416030-5	FAN COVER		1				
018	424320-2	RUBBER RING		1				
019	423287-1	SPONGE SHEET 70-106		1	*			
019-1	424804-0	SUPONGE SHEET 76-110	<	1				
C10	452359-5	SPONGE SHEET 40-70		2				
D10		INC. 3						
020A	188997-4	HOUSING SET		1				
020B	187000-8	HOUSING SET		1				
021	868815-9	CL102D NAME PLATE		1				
022	266429-2	TAPPING SCREW 3X16		10				
023	166084-9	DUST BAG		1				
024A	158743-9	VALVE STAY COMPLETE		1	*			
024-1A	141088-2	VALVE STAY COMPLETE	<	1				
024-1B	141088-2	VALVE STAY COMPLETE		1				
025	424094-5	PACKING		1				

