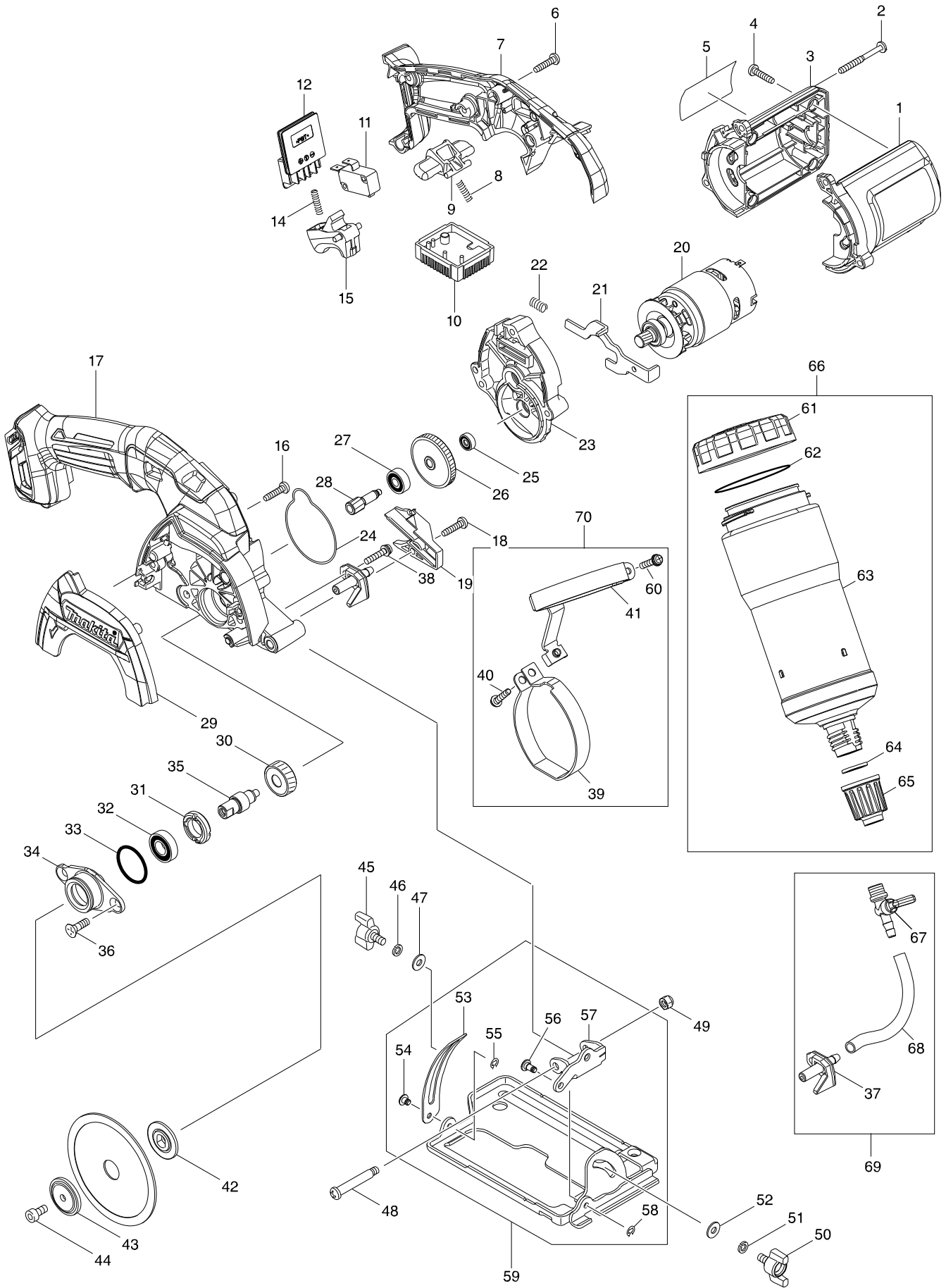


Model No. CC301D 85MM CORDLESS CUTTER



Model No. CC301D 85MM CORDLESS CUTTER

Item	Parts No.	Description	I/C	QTY	N/O	Opt. 1	Opt. 2	NOTE
001	188941-1	MOTOR HOUSING SET		1				
D10		INC. 3						
002	266560-4	TAPPING SCREW 4X40		3				
003	188941-1	MOTOR HOUSING SET		1				
D10		INC. 1						
004	265995-6	TAPPING SCREW 4X18		4				
005	852H03-6	CC301D NAME PLATE		1				
006	265995-6	TAPPING SCREW 4X18		6				
007	183D87-2	HANDLE SET		1				
C10	263002-9	RUBBER PIN 4		2				
C20	931102-0	HEX. NUT M4		1				
C30	931202-6	HEX. NUT M5		3				
D10		INC. 17						
008	231469-9	COMPRESSION SPRING 4		1				
009	419664-3	LOCK OFF LEVER		1				
010	632F84-2	CONTROLLER UNIT		1				
011	650577-1	SWITCH SD-006-BB2AA-AA		1				
012	644813-5	TERMINAL		1				
014	231469-9	COMPRESSION SPRING 4		1				
015	419665-1	SWITCH LEVER		1				
016	265995-6	TAPPING SCREW 4X18		2				
017	183D87-2	HANDLE SET		1				
C10	263002-9	RUBBER PIN 4		2				
C20	931102-0	HEX. NUT M4		1				
C30	931202-6	HEX. NUT M5		3				
D10		INC. 7						
018	265995-6	TAPPING SCREW 4X18		1				
019	452234-5	DUCT		1				
020	629885-1	DC MOTOR		1				
021	346337-4	SHAFT LOCK		1				
022	233117-6	COMPRESSION SPRING 6		1				
023	140625-9	GEAR HOUSING COMPLETE		1				
C10	213325-5	O RING 19		1				
024	424358-7	PACKING		1				
025	210036-3	BALL BEARING 604ZZ		1				
026	227737-6	HELICAL GEAR 47		1				
027	210028-2	BALL BEARING 606ZZ		1				
028	227735-0	HELICAL GEAR 9B		1				
029	456906-4	BLADE COVER		1				
030	227736-8	HELICAL GEAR 28		1				
031	285847-5	BEARING RETAINER 14-23		1				
032	210069-8	BALL BEARING 6900DDW		1				
033	213435-8	O RING 26		1				
034	318660-7	BEARING BOX		1				
035	325983-6	SPINDLE		1				
036	265034-2	+ COUNTERSUNK HEAD SCREW M5X		2				
037	453555-8	NOZZLE		1				
038	911138-5	PAN HEAD SCREW M4X20		1				

