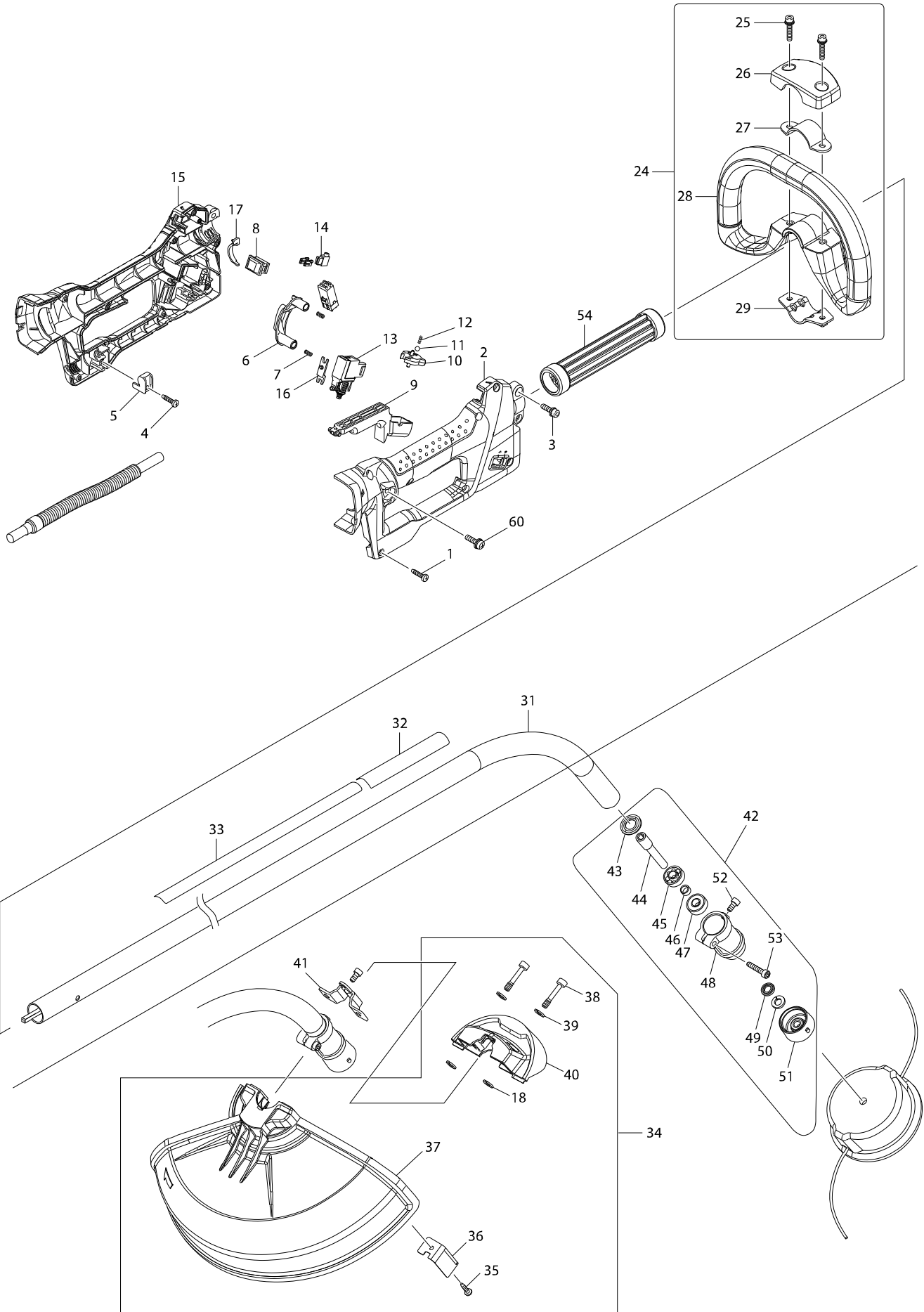
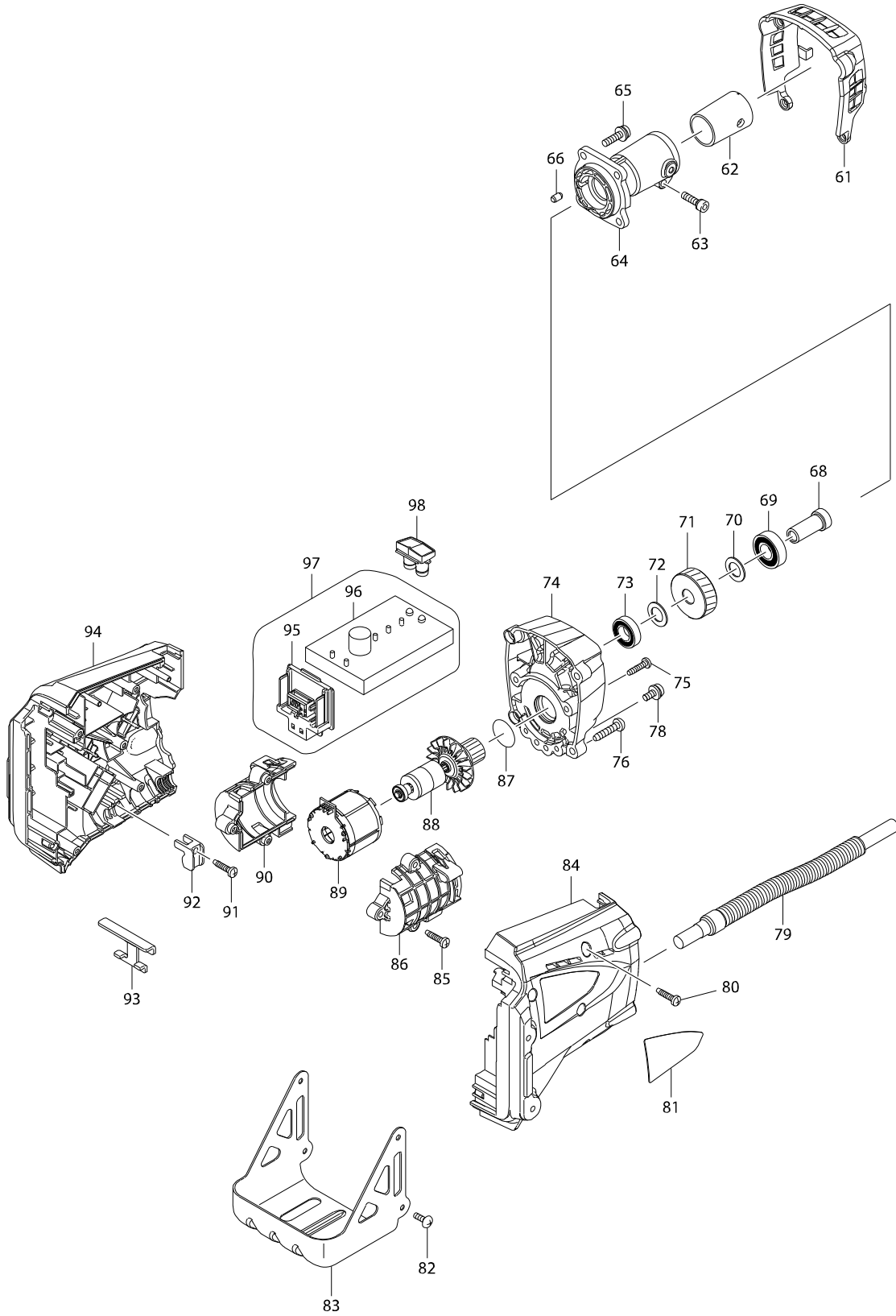


# Model No. BUR360 300MM CORDLESS STRING TRIMMER



# Model No. BUR360 300MM CORDLESS STRING TRIMMER



# Model No. BUR360 300MM CORDLESS STRING TRIMMER

Item	Parts No.	Description	I/C	QTY	N/O	Opt. 1	Opt. 2	NOTE
001	265995-6	TAPPING SCREW 4X18		8				
002	187371-3	GRIP SET		1				
D10		INC. 15						
003	922228-9	H.S.H.BOLT M5X18 WITH WR		1				
004	265995-6	TAPPING SCREW 4X18		1				
005	687261-5	STRAIN RELIEF		1				
006	451983-1	LOCK OFF BUTTON		1				
007	233054-4	COMPRESSION SPRING 4		2				
008	651533-4	SWITCH SLE6A2-33		1				
009	451984-9	SWITCH LEVER		1				
010	451986-5	INDICATOR		1				
011	216018-3	STEEL BALL 5.0		1				
012	233211-4	COMPRESSION SPRING 2		1				
013	650630-3	SWITCH TGR3-3		1				
014	686015-7	RECEPTACLE SLEEVE		1				
015	187371-3	GRIP SET		1				
D10		INC. 2						
016	451982-3	LINK PLATE		1				
017	451985-7	LEAD COVER		1				
018	942151-2	SPRING WASHER 6		2				
024	195626-2	LOOP HANDLE SET		1				
D10		INC. 25-29						
025	922243-3	HEX. SOCKET HEAD BOLT M5X25		2				
026	452843-0	CLAMP COVER B		1				
027	346468-9	CLAMP 33		1				
028	452841-4	LOOP HANDLE		1				
029	346467-1	CLAMP 24		1	*			
029-1	347094-7	CLAMP 24	O	1				
031	141671-5	BENT PIPE COMPLETE		1				
C10	259025-3	PUSH NUT 6		1				
C20	326193-8	FLEXIBLE SHAFT		1				
C30	808723-2	CAUTION LABEL		1				
D10		INC. 32,33						
032	819312-8	MAKITA LOGO LABEL		1				
033	898861-8	CAUTION LABEL		1				
034	195959-5	PROTECTOR SET		1				
D10		INC. 18,35-40						
035	265995-6	TAPPING SCREW 4X18		1				
036	346618-6	CUTTER		1				
037	453775-4	PROTECTOR		1				
038	266579-3	HEX SOCKET HEAD BOLT M6X30		2				
039	413143-3	WASHER		2				
040	453776-2	PROTECTOR COVER		1				
041	346617-8	PROTECTOR CLAMP		1				
042	141013-3	HEAD CASE COMPLETE		1	*			
D10		INC. 43-53			*			
042-1	141894-5	HEAD CASE COMPLETE	S	1				
D10		INC. 44-51,53						

# Model No. BUR360 300MM CORDLESS STRING TRIMMER

Item	Parts No.	Description	I/C	QTY	N/O	Opt. 1	Opt. 2	NOTE
043	267845-1	BEARING WASHER		1	*			
043-1	267845-1	BEARING WASHER	O	1				
044	326195-4	CUTTER SHAFT		1				
045	211368-1	BALL BEARING 608ZZ		1				
046	257335-2	COLLAR		1				
047	211367-3	BALL BEARING 608DDW		1				
048	318900-3	HEAD CASE		1				
049	267844-3	WASHER		1				
050	267846-9	SPRING WASHER M8		1				
051	318901-1	CUTTER HOLDER		1				
052	922207-7	HEX. SOCKET HEAD BOLT M5X10		1	*			
052-1	922207-7	HEX. SOCKET HEAD BOLT M5X10	O	1				
053	922242-5	HEX. SOCKET HEAD BOLT M5X25		1				
060	911233-1	PAN HEAD SCREW M5X20		1				
061	451981-5	GEAR BOX COVER		1				
062	424307-4	PIPE RUBBER		1				
063	922231-0	HEX. SOCKET HEAD BOLT M5X20		1				
064	318560-1	PIPE BRACKET		1				
065	911233-1	PAN HEAD SCREW M5X20		4				
066	263002-9	RUBBER PIN 4		1				
068	326190-4	SPINDLE HUB		1				
069	211148-5	BALL BEARING 6001ZZ		1				
070	253744-3	FLAT WASHER 12		1				
071	227720-3	HELICAL GEAR 33		1				
072	253744-3	FLAT WASHER 12		1				
073	211150-8	BALL BEARING 6901ZZ		1				
074	318559-6	GEAR BOX		1				
075	265995-6	TAPPING SCREW 4X18		4				
076	266041-8	TAPPING SCREW 5X25		4				
078	911213-7	PAN HEAD SCREW M5X12		2				
079	699047-5	POWER SUPPLY CORD UNIT		1				
080	265995-6	TAPPING SCREW 4X18		5				
081	897361-5	BUR360 NAME PLATE		1				
082	251314-2	+ SCREW M4X12		4				
083	346194-0	BATTERY GUARD		1				
084	188836-8	HOUSING SET		1	*			
D10		INC. 94			*			
084-1	183A74-3	HOUSING SET	<	1	*			
D10		INC. 94			*			
084-2	183C17-7	HOUSING SET	S	1				
D10		INC. 94						
085	265995-6	TAPPING SCREW 4X18		3				
086	188838-4	MOTOR HOUSING SET		1				
D10		INC. 90						
087	213961-7	O RING 22		1				
088	619254-4	ROTOR		1				
089	629958-0	STATOR		1				
090	188838-4	MOTOR HOUSING SET		1				

