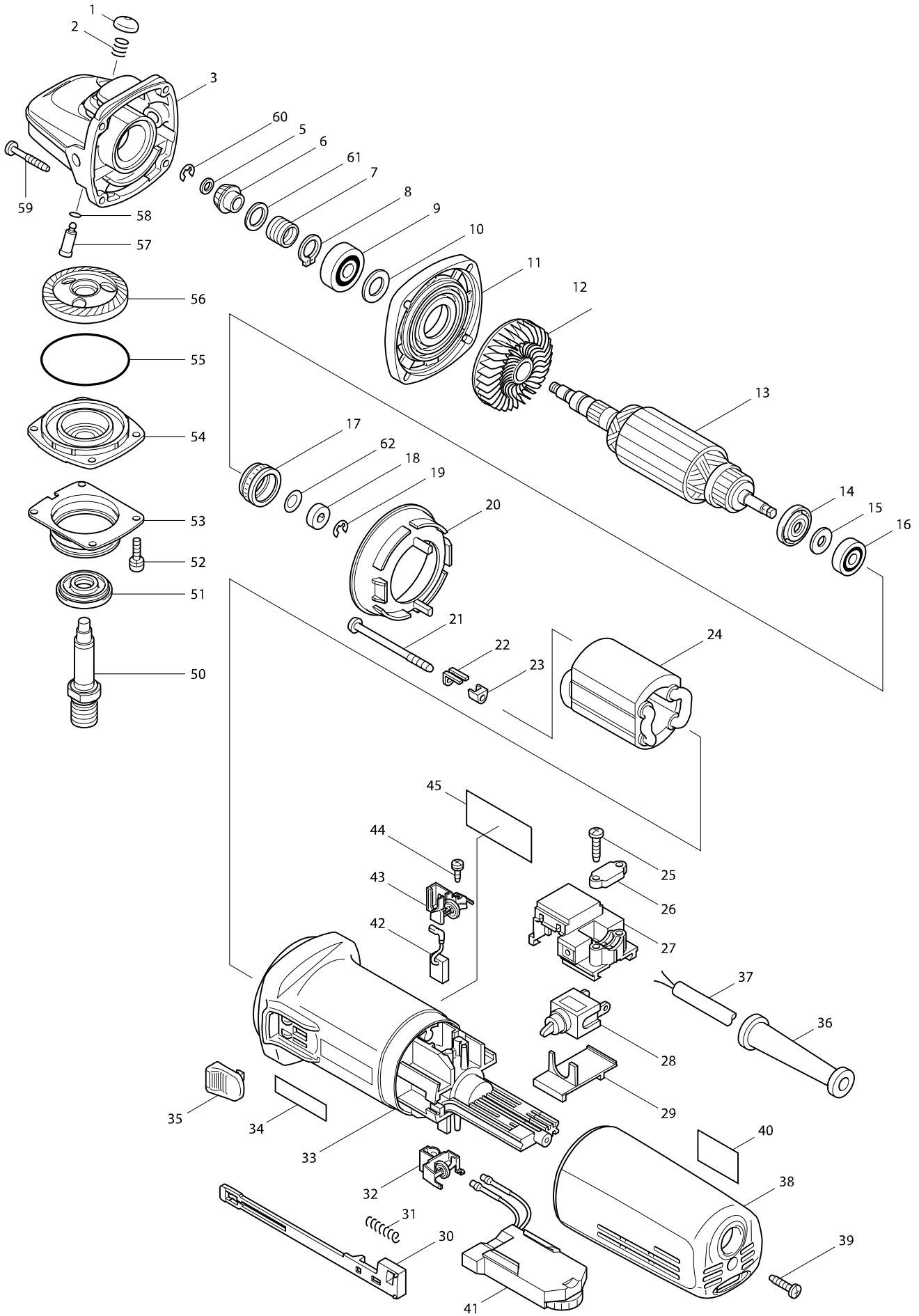


Model No. 9565CVL 125MM ANGLE GRINDER



Model No. 9565CVL 125MM ANGLE GRINDER

Item	Parts No.	Description	I/C	QTY	N/O	Opt. 1	Opt. 2	NOTE
001-1	418067-8	PIN CAP		1				
002	233072-2	COMPRESSION SPRING 8		1				
003-3	153488-4	GEAR HOUSING COMPLETE		1				
005	267034-8	FLAT WASHER 5		1				
006	226796-7	SPIRAL BEVEL GEAR 7		1				
007	233901-9	LOCK SPRING 12		1				
008	961052-5	RETAINING RING S-12		1				
009	211142-7	BALL BEARING 6001LLB		1				
010	253084-9	FLAT WASHER 12		1				
011	317359-1	GEAR HOUSING COVER		1				
012	240033-5	FAN 57		1				
013-1	515238-9	ARMATURE ASS'Y 220-240V		1				
D10		INC. 12,14-16						
014	681656-4	INSULATION WASHER		1				
015	253823-7	FLAT WASHER 7		1				
016	210027-4	BALL BEARING 627DDW		1				
017	421738-8	LABYRINTH RUBBER RING 22		1				
018	688117-5	MAGNET SLEEVE		1				
019-1	259039-2	SELF LOCK 6		1				
020	413076-2	BAFFLE PLATE		1				
021	266258-3	TAPPING SCREW 4X70		2				
022	344871-8	RETAINER		2				
023	417237-6	INSULATION COVER		2				
024	626503-2	FIELD 220-240V		1				
025	265995-6	TAPPING SCREW 4X18		2				
026	687063-9	CORD CLAMP		1				
027A_	632999-7	SWITCH BLOCK		1				
028	651418-4	SWITCH ST115A-40		1				
029	687113-0	COVER		1				
030	417186-7	SWITCH LEVER		1				
031	233071-4	COMPRESSION SPRING 4		1				
032-1	643760-7	BRUSH HOLDER		1				
033-3	418512-3	MOTOR HOUSING		1				
035-1	417813-6	SWITCH KNOB		1				
036	682559-5	CORD GUARD 8		1				
037	666066-6	POWER SUPPLY CORD 1.0-2-2.5		1				
038	417185-9	REAR COVER		1				
039	265995-6	TAPPING SCREW 4X18		1				
040A2	816505-8	INDICATION LABEL		1				
041	631384-1	CONTROLLER		1				
042-1	191978-9	A.C. CARBON BRUSH CB-318		1				
043-1	643760-7	BRUSH HOLDER		1				
044	266256-7	TAPPING SCREW PT3X10		4				
045-1	864371-7	9565CVL NAME PLATE		1	*			
045-2	864371-7	9565CVL NAME PLATE	<	1				
050-1	324035-0	SPINDLE		1				
051	415300-9	LABYRINTH RING		1				
052-1	265490-6	HEX. SOCKET HEAD BOLT M4X16		4				

