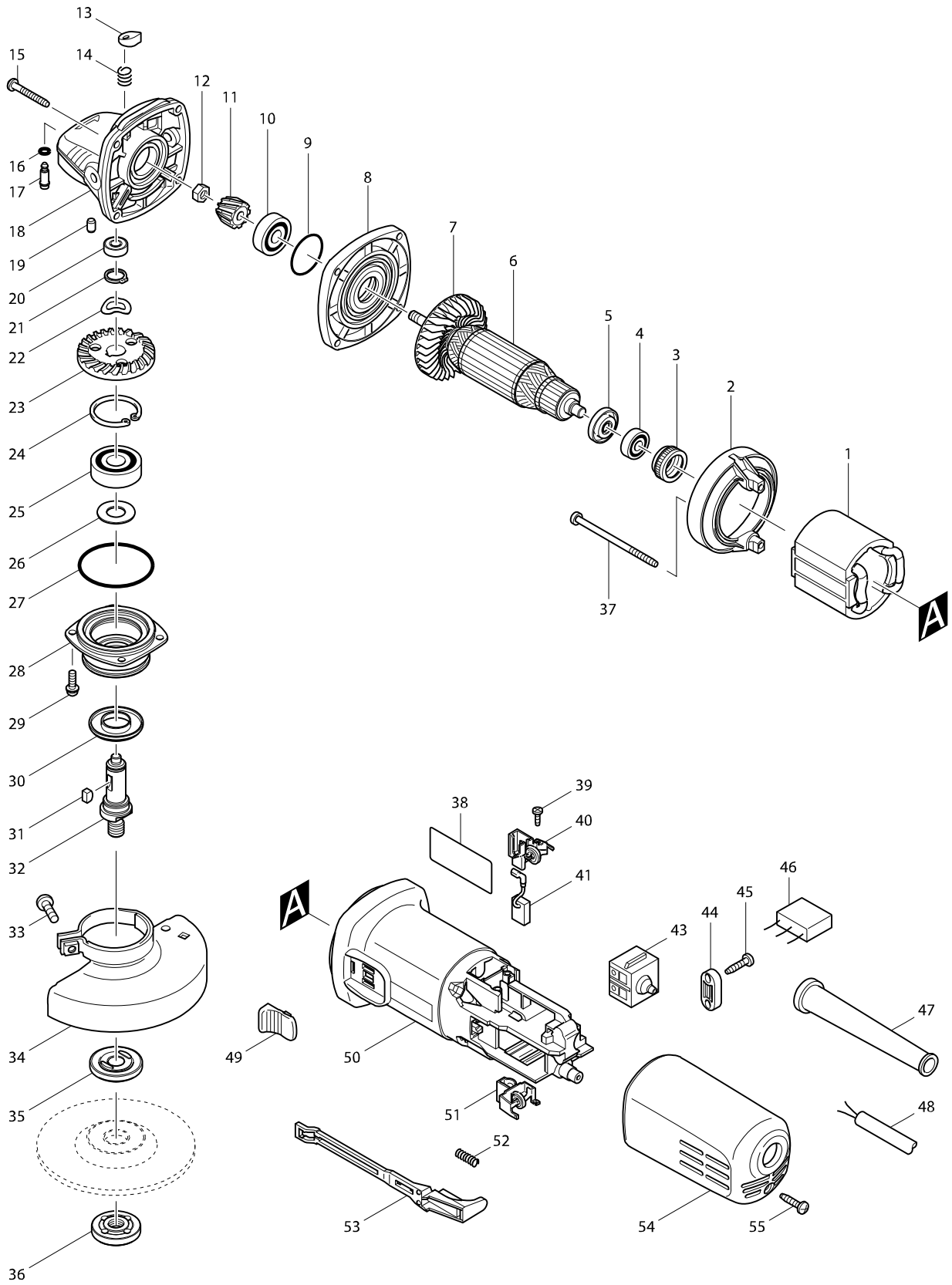


# Model No. 9553NB 100MM ANGLE GRINDER



# Model No. 9553NB 100MM ANGLE GRINDER

Item	Parts No.	Description	I/C	QTY	N/O	Opt. 1	Opt. 2	NOTE
001	621713-6	FIELD 220-240V		1	*			
001-1	627080-7	FIELD 220-240V	<	1				
002	418795-5	BAFFLE PLATE		1				
003	421868-5	LABYRINTH RUBBER RING 19		1				
004	210034-7	BALL BEARING 607LLB		1	*			
004-1	211021-9	BALL BEARING 607LLB	O	1				
005	681667-9	RESIN WASHER		1	*			
005-1	681636-0	INSULATION WASHER	O	1				
006	515619-7	ARMATURE ASS'Y 220-240V		1	*			
D10		INC. 4,5,7			*			
006-1	510086-1	ARMATURE ASS'Y 220-240V	O	1				
D10		INC. 4,5,7						
007	240076-7	FAN 56		1				
008	317821-6	GEAR HOUSING COVER		1				
009	213445-5	O-RING 26		1				
010	210071-1	BALL BEARING 629LLB		1	*			
010-1	210053-3	BALL BEARING 629LLB	<	1	*			
010-2	210042-8	BALL BEARING 629LLB	O	1				
011	227471-8	SPIRAL BEVEL GEAR 11		1				
012	252186-8	HEX. NUT M6		1				
013	417771-6	PIN CAP		1				
014	233376-2	COMPRESSION SPRING 8		1				
015	266361-0	TAPPING SCREW 4X30		4				
016	213960-9	O RING 5		1				
017	256486-8	SHOULDER PIN 4		1				
018	317814-3	GEAR HOUSING		1				
019	263002-9	RUBBER PIN 4		1				
020	210033-9	BALL BEARING 696ZZ		1	*			
020-1	210006-2	BALL BEARING 696ZZ	O	1				
021	961052-5	RETAINING RING S-12		1				
022	267794-2	WAVE WASHER 12		1				
023	227472-6	SPIRAL BEVEL GEAR 36		1	*			
023-1	227506-5	SPIRAL BEVEL GEAR 36	<	1				
024	962151-6	RETAINING RING R-32		1				
025	211129-9	BALL BEARING 6201DDW		1				
026	267238-2	FLAT WASHER 12		1				
027	213622-9	O RING 45		1				
028	317819-3	BEARING BOX		1				
029	265099-4	PAN HEAD SCREW M4X14		4				
030	345464-4	LABYRINTH RING		1				
031	254011-9	WOODRUFF KEY 4		1				
032	324488-3	SPINDLE		1				
033	265103-9	PAN HEAD SCREW M5X14		1				
034	125266-2	WHEEL COVER ASS'Y		1				
D10		INC. 33						
035	224314-5	INNER FLANGE 30		1				
036	224559-5	LOCK NUT 10-30		1				
037	266362-8	TAPPING SCREW 4X70		2	*			

# Model No. 9553NB 100MM ANGLE GRINDER

Item	Parts No.	Description	I/C	QTY	N/O	Opt. 1	Opt. 2	NOTE
037-1	266325-4	TAPPING SCREW 4X70	○	2				
038	861238-0	9553NB NAME PLATE		1				
039	266007-8	TAPPING SCREW BIND PT 3X10		4				
040	643760-7	BRUSH HOLDER		1				
041	194074-2	CARBON BRUSH CB-325		1				
043	650560-8	SWITCH DPX-2110-R		1	*			
043-1	650621-4	SWITCH PS10	○	1				
044	687123-7	STRAIN RELIEF		1				
045	266326-2	TAPPING SCREW 4X18		2				
047	682559-5	CORD GUARD 8		1				
048	666066-6	POWER SUPPLY CORD 1.0-2-2.5		1				
049	418769-6	SWITCH KNOB		1	*			
049-1	419566-3	SWITCH KNOB	<	1				
050	418794-7	MOTOR HOUSING		1	*			
050-1	418794-7	MOTOR HOUSING	<	1				
051	643760-7	BRUSH HOLDER		1				
052	233121-5	COMPRESSION SPRING 4		1				
053	418796-3	SWITCH LEVER C		1				
054	418726-4	REAR COVER		1				
055	266326-2	TAPPING SCREW 4X18		1				
A01	153489-2	GRIP 36 COMPLETE		1				
A02	782420-7	LOCK NUT WRENCH 20		1				
A05	A-80852	GRINDING WHEEL 100X6X16		1				