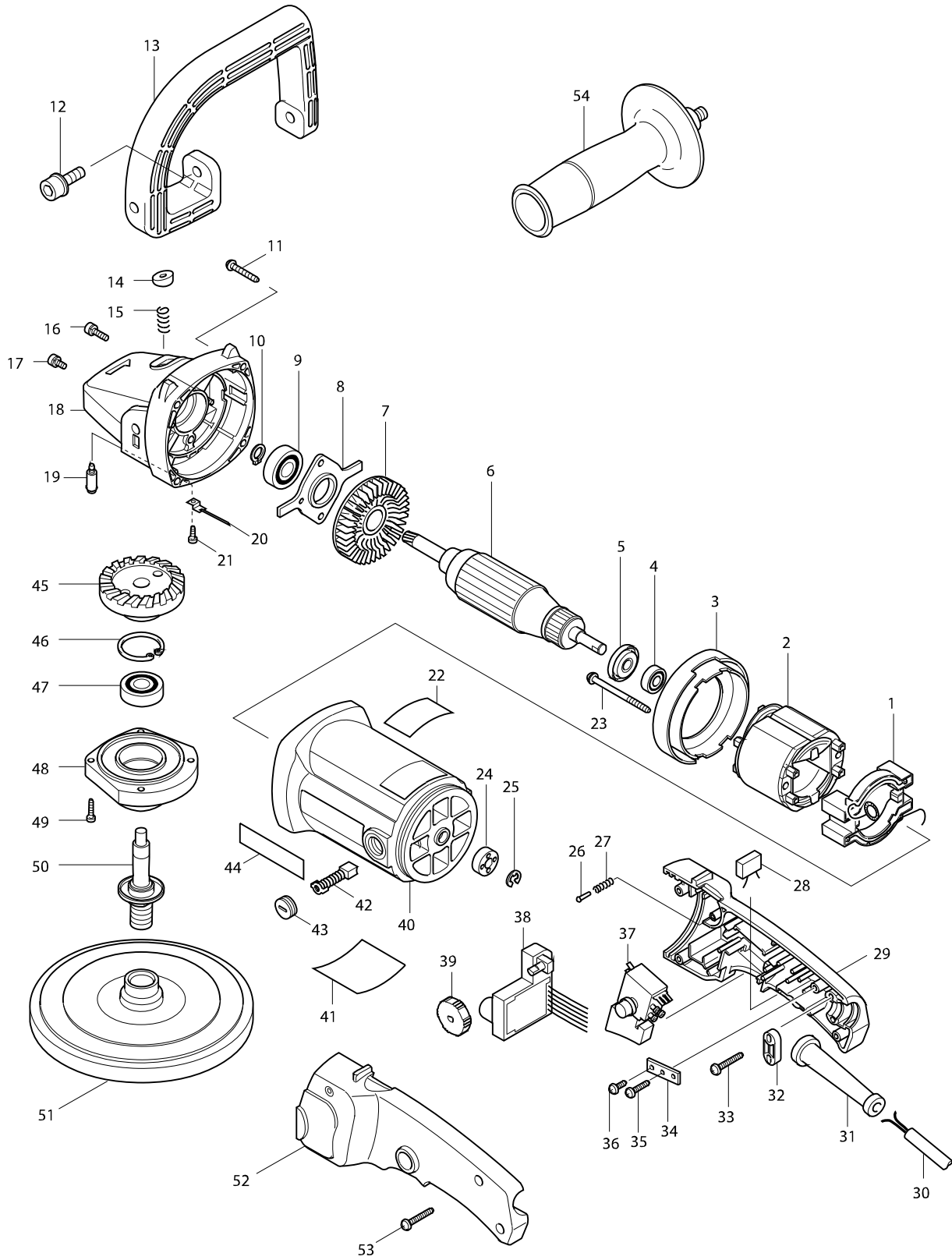


# Model No. 9227C SANDER POLISHER 180MM



# Model No. 9227C SANDER POLISHER 180MM

Item	Parts No.	Description	I/C	QTY	N/O	Opt. 1	Opt. 2	NOTE
001-1	539168-0	SUPPORT ASS'Y		1				
C10	632679-5	SUPPORT COMPLETE		1				
C20	654020-2	RING TERMINAL		1				
C30	654501-6	CONNECTOR P-1.25		1				
002B_	634293-3	FIELD 220/240V		1				
003	416253-5	BAFFLE PLATE		1				
004	211031-6	BALL BEARING 608LLB		1				
005	681644-1	INSULATION WASHER		1				
006B_	516308-7	ARMATURE ASS'Y 220/240V		1				
D10		INC. 4,5,7						
007	240002-6	FAN 70		1				
008	285687-1	BEARING RETAINER 48		1				
009	211106-1	BALL BEARING 6201LLB		1				
010	961052-5	RETAINING RING S-12		1				
011	266012-5	TAPPING SCREW 5X35		4				
012	266171-5	HEX. SOCKET HEAD BOLT M8X25		2				
013	416256-9	LOOP HANDLE		1				
014	415491-6	PIN CAP		1				
015	233072-2	COMPRESSION SPRING 8		1				
016-1	911221-8	PAN HEAD SCREW M5X16		1				
017-1	911211-1	PAN HEAD SCREW M5X12		1				
018	159951-5	GEAR HOUSING COMPLETE		1				
019-1	256504-2	SHOULDER PIN 9		1				
020	632783-0	LEAD UNIT		1				
021	652014-1	PAN HEAD SCREW M4X8		1				
022	816330-7	INDICATION LABEL		1				
023	266038-7	TAPPING SCREW 5X70		2				
024	688110-9	MAGNET SLEEVE		1				
025	961012-7	STOP RING E-6		1				
026	255058-6	RIVET 2		1				
027	233002-3	COMPRESSION SPRING 3		1				
029	182917-0	HANDLE SET		1				
D10		INC. 52						
030E_	666333-9	POWER SUPPLY CORD 1.00-3-2.5		1				
031A1	682503-2	CORD GUARD 8-90		1				
032B_	687052-4	STRAIN RELIEF		1				
033	265995-6	TAPPING SCREW 4X18		2				
034	654571-5	TERMINAL BLOCK		1				
035	265995-6	TAPPING SCREW 4X18		1				
036	652014-1	PAN HEAD SCREW M4X8		2				
037	651282-3	SWITCH		1				
038A_	631227-7	CONTROLLER 200-250V		1	*			
038A1	631227-7	CONTROLLER 200-250V	<	1				
039	271417-6	DIAL 28		1				
040	182918-8	MOTOR HOUSING SET		1				
C10	643708-9	BRUSH HOLDER 5-11		2				
D10		INC. 22,44						
041	858695-1	NAME PLATE 9227C		1				

