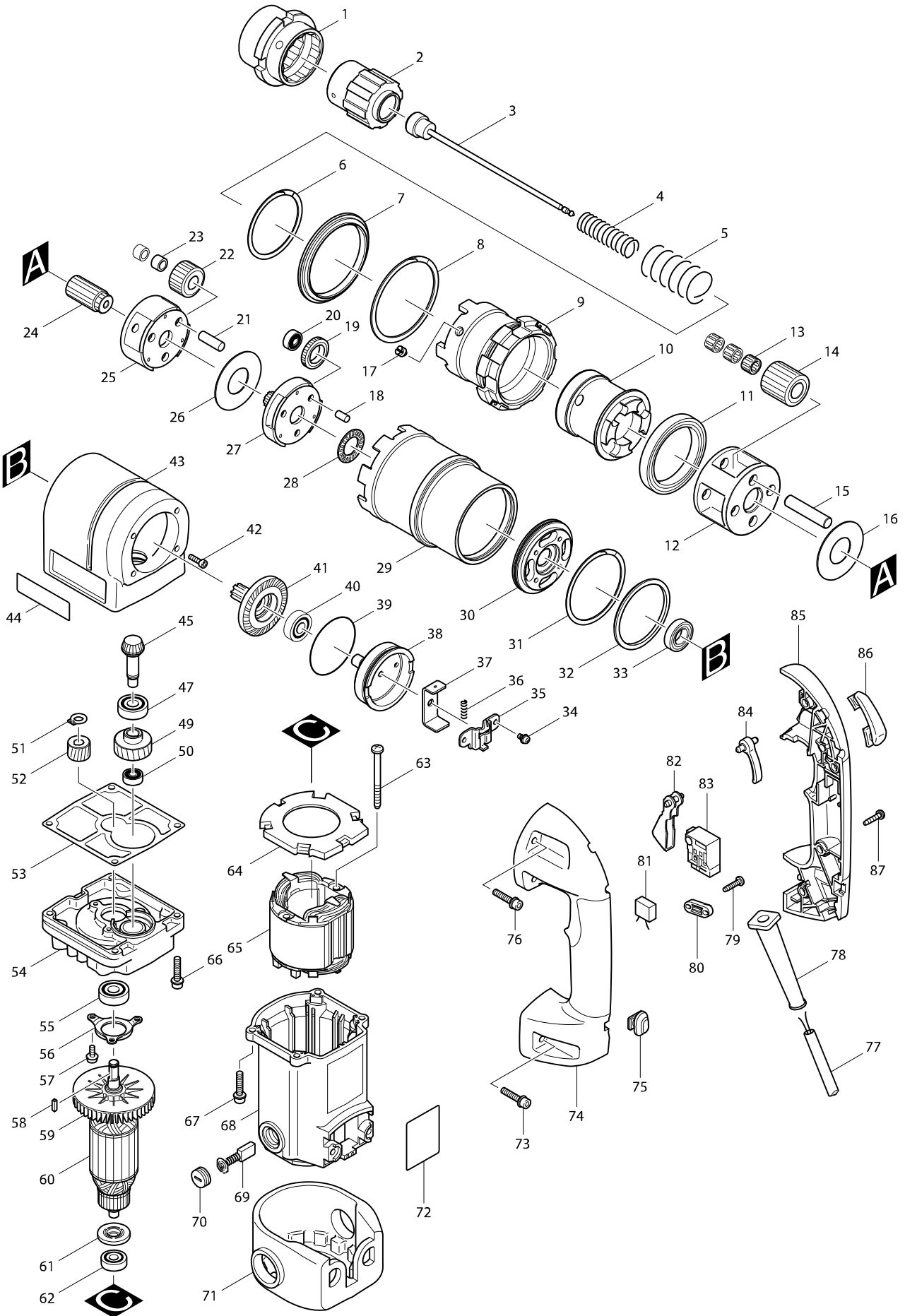


# Model No. 6924N SHEAR WRENCH



# Model No. 6924N SHEAR WRENCH

Item	Parts No.	Description	I/C	QTY	N/O	Opt. 1	Opt. 2	NOTE
001	194034-4	OUTER SLEEVE 24-49 SET		1				
002-1	194311-4	INNER SLEEVE 24-49 SET		1				
003-1	165412-5	CHIP ROD		1				
004-1	233445-9	COMPRESSION SPRING 16		1				
005	233420-5	COMPRESSION SPRING 28		1				
006	257945-5	RETAINING RING 68		1				
007-1	324623-3	SPACER		1				
008-1	962372-0	RETAINING RING(INT)AR-75		1	*			
008-2	257984-5	RETAINING RING(INT)AR-75	O	1				
009-1	324624-1	OUTER SUPPORT		1				
010	154492-6	INNER SUPPORT COMPLETE		1				
011	211653-2	BALL BEARING 6811		1				
012	310159-8	CARRIER B		1				
013	212078-3	NEEDLE CAGE 1010		12				
014	227144-3	SPUR GEAR 18		4				
015	268124-0	PIN 10		4				
016	267289-5	FLAT WASHER 25		1				
017	266022-2	- SET SCREW(DOG POINT) M8X8		2				
018	256211-7	PIN 6		3				
019	227140-1	SPUR GEAR 26		3				
020	211012-0	BALL BEARING 606ZZ		3				
021	268104-6	PIN 8		3				
022	227142-7	SPUR GEAR 26		3				
023	212026-2	NEEDLE CAGE 808		6				
024	227143-5	SPUR GEAR 10		1				
025	310158-0	CARRIER A		1				
026	267289-5	FLAT WASHER 25		1				
027	227141-9	SPUR GEAR 11		1				
028	216419-5	THRUST NEEDLE CAGE 1831		1				
029-1	227155-8	INTERNAL GEAR 46-64		1				
030	324519-8	BRACKET		1				
031	257943-9	RETAINING RING 68		1				
032	257263-1	RING 58		1				
033	211221-1	BALL BEARING 6902		1				
034	266199-3	HEX.SOCKET HEAD BOLT M4X6		2				
035	345476-7	PLATE GUIDE		1				
036	233421-3	COMPRESSION SPRING 4		1				
037	345493-7	STOPPER PLATE		1				
038	324521-1	ROD SUPPORTER		1				
039	213656-2	O RING 53		1				
040	211064-1	BALL BEARING 6000		1				
041	226828-0	GEAR 11-47		1				
042	922122-5	HEX.SOCKET HEAD BOLT M4X14		4				
043	183928-8	GEAR CASE SET		1				
D10		INC. 44						
044	819001-5	MAKITA LABEL		2				
045	227483-1	SPIRAL BEVEL GEAR 15		1				
047	211097-6	BALL BEARING 6000LLB		1				

# Model No. 6924N SHEAR WRENCH

Item	Parts No.	Description	I/C	QTY	N/O	Opt. 1	Opt. 2	NOTE
049-1	194100-7	HELICAL GEAR 27 SET		1				
050	211012-0	BALL BEARING 606ZZ		1				
051	961004-6	RETAINING RING S-8		1				
052	226597-3	HELICAL GEAR 15		1				
053	418801-6	GASKET		1				
054	317835-5	GEAR HOUSING		1				
055	211097-6	BALL BEARING 6000LLB		1				
056	344470-6	BEARING RETAINER		1				
057	251308-7	+ PAN HEAD SCREW M4X10		3				
058	254236-5	KEY 3		1				
059	241863-7	FAN 70		1				
060	513594-1	ARMATURE ASS'Y 240V		1				
D10		INC. 59,61,62						
061	681644-1	INSULATION WASHER		1				
062	211031-6	BALL BEARING 608LLB		1				
063	266044-2	TAPPING SCREW 5X60		2				
064	418797-1	BAFFLE PLATE		1				
065	594529-1	FIELD ASS'Y 240V		1				
C10	654020-2	RING TERMINAL		2				
C20	654501-6	CONNECTOR P-1.25		2				
066	922243-3	HEX. SOCKET HEAD BOLT M5X25		4				
067	922243-3	HEX. SOCKET HEAD BOLT M5X25		4				
068	154491-8	MOTOR HOUSING COMPLETE		1				
C10	643708-9	BRUSH HOLDER 5-11		2				
069	191963-2	CARBON BRUSH CB-303		1				
070	643750-0	BRUSH HOLDER CAP 7-11		2	*			
070-1	643515-0	HOLDER CAP 7-11	O	2				
071	421891-0	PROTECTOR C		1				
072	861055-8	NAME PLATE 6924N		1				
073	922243-3	HEX. SOCKET HEAD BOLT M5X25		2				
074	183880-0	HANDLE SET		1				
D10		INC. 85						
075	421890-2	PROTECTOR B		1				
076	922243-3	HEX. SOCKET HEAD BOLT M5X25		4				
077	665865-3	POWER SUPPLY CORD 1.0-2-2.5		1				
078	682573-1	CORD GUARD 10		1				
079	265995-6	TAPPING SCREW 4X18		2				
080	687052-4	STRAIN RELIEF		1				
082	414436-1	SWITCH LEVER		1				
083	651835-8	SWITCH SP215C		1				
084	310157-2	CHIP LEVER		1				
085	183880-0	HANDLE SET		1				
D10		INC. 74						
086	421889-7	PROTECTOR A		1				
087	266045-0	TAPPING SCREW 4X20		4				
A01	823286-7	STEEL CARRYING CASE		1				
A02	783001-0	(-) SCREWDRIVER 6		1				