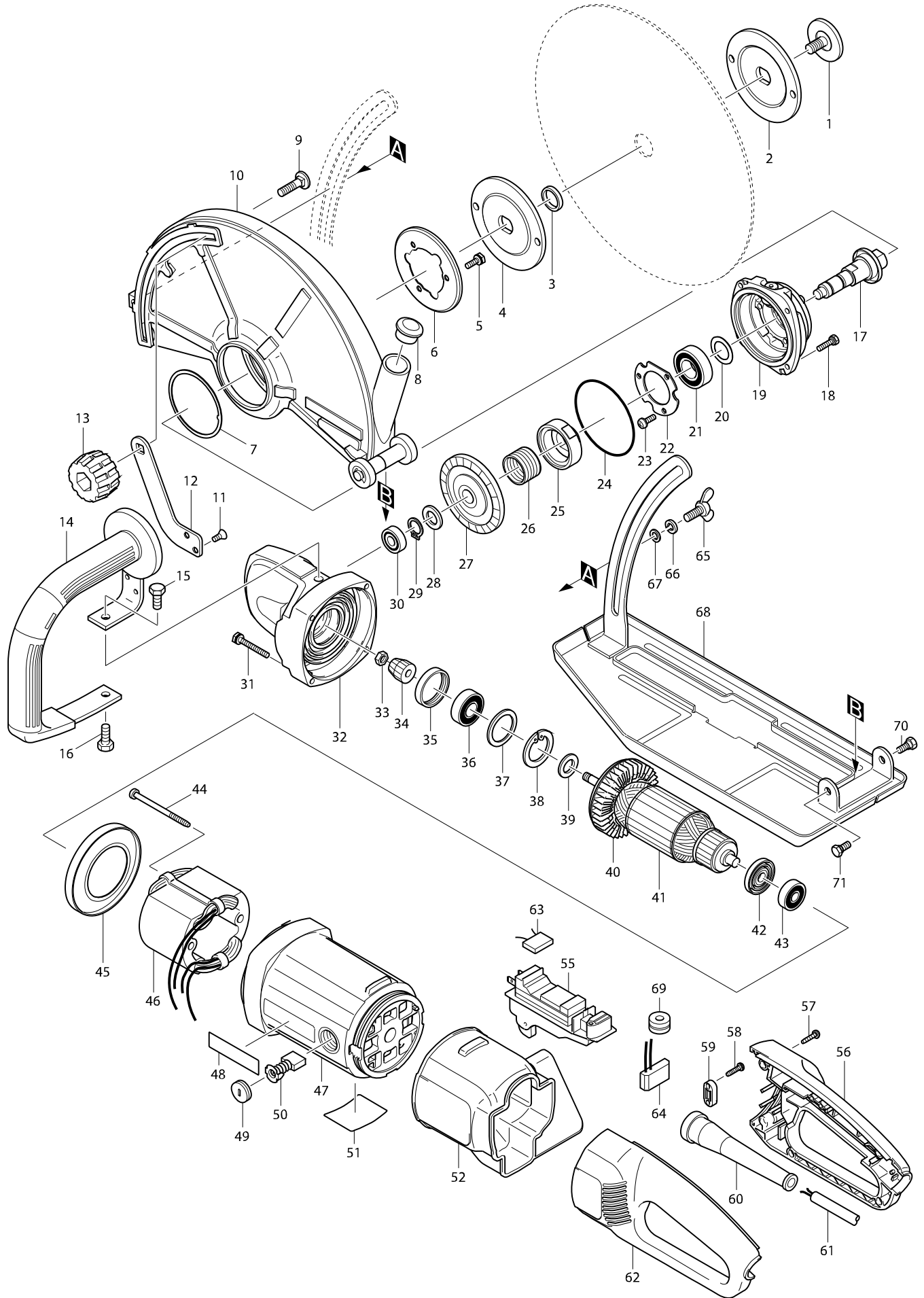


# Model No. 4112HS ANGLE CUTTER 305MM



# Model No. 4112HS ANGLE CUTTER 305MM

Item	Parts No.	Description	I/C	QTY	N/O	Opt. 1	Opt. 2	NOTE
001	265265-3	HEX. BOLT M10X25		1				
002	224184-2	INNER FLANGE 100		1				
003	257054-0	RING 20		1				
004	224184-2	INNER FLANGE 100		1				
005-1	925216-5	+ HEX. BOLT M5X14		3				
006	345269-2	PRESSURE PLATE		1				
007	341853-1	PLATE B		1				
008	286268-4	CAP 31		1	*			
008-1	286289-6	CAP 32	<	1				
009	265845-5	CAP SQUARE NECK BOLT M8X30		1				
010	125185-2	WHEEL COVER ASS'Y		1				
C10	257091-4	RING 12		2				
C20	961015-1	STOP RING E-9		2				
C30	817574-2	CAUTION LABEL		1				
011	912202-5	COUNTERSUNK HEAD SCREW M5X8		2				
012	345291-9	LOCK PLATE		1				
013	252648-6	THUMB NUT M8		1				
014	273655-6	GRIP		1				
015	921432-7	HEX. BOLT M8X20		1				
016	921432-7	HEX. BOLT M8X20		1				
017	153541-6	SPINDLE COMPLETE		1				
018	265502-5	+ HEX. BOLT M5X20		4				
019	153539-3	BEARING BOX COMPLETE		1				
020	267041-1	FLAT WASHER 20		1				
021-1	211326-7	BALL BEARING 6004DDW		1				
022	285708-9	BEARING RETAINER 50		1				
023	911221-8	PAN HEAD SCREW M5X16		3				
024	213757-6	O RING 80		1				
025	331644-8	LOCK SLEEVE		1				
026	233922-1	LOCK SPRING 24		1				
027	227438-6	SPIRAL BEVEL GEAR 48		1				
028	267251-0	FLAT WASHER 15		1				
029	961055-9	RETAINING RING S-15		1				
030	211061-7	BALL BEARING 6000LLB		1				
031	925261-0	+ HEX. BOLT M5X40		4				
032	153542-4	GEAR HOUSING COMPLETE		1				
033	252178-7	HEX. NUT M8-12		1				
034	227440-9	SPIRAL BEVEL GEAR 9		1				
035	262554-7	RUBBER RING 36		1				
036	211228-7	BALL BEARING 6202DDW		1				
037	267250-2	FLAT WASHER 30		1				
038	962157-4	RETAINING RING R-40		1				
039	267251-0	FLAT WASHER 15		1				
040	240060-2	FAN 80		1				
041	516888-3	ARMATURE ASS'Y 220-240V		1				
D10		INC. 40,42,43						
042	681630-2	INSULATION WASHER		1				
043	211087-9	BALL BEARING 6200DDW		1				

