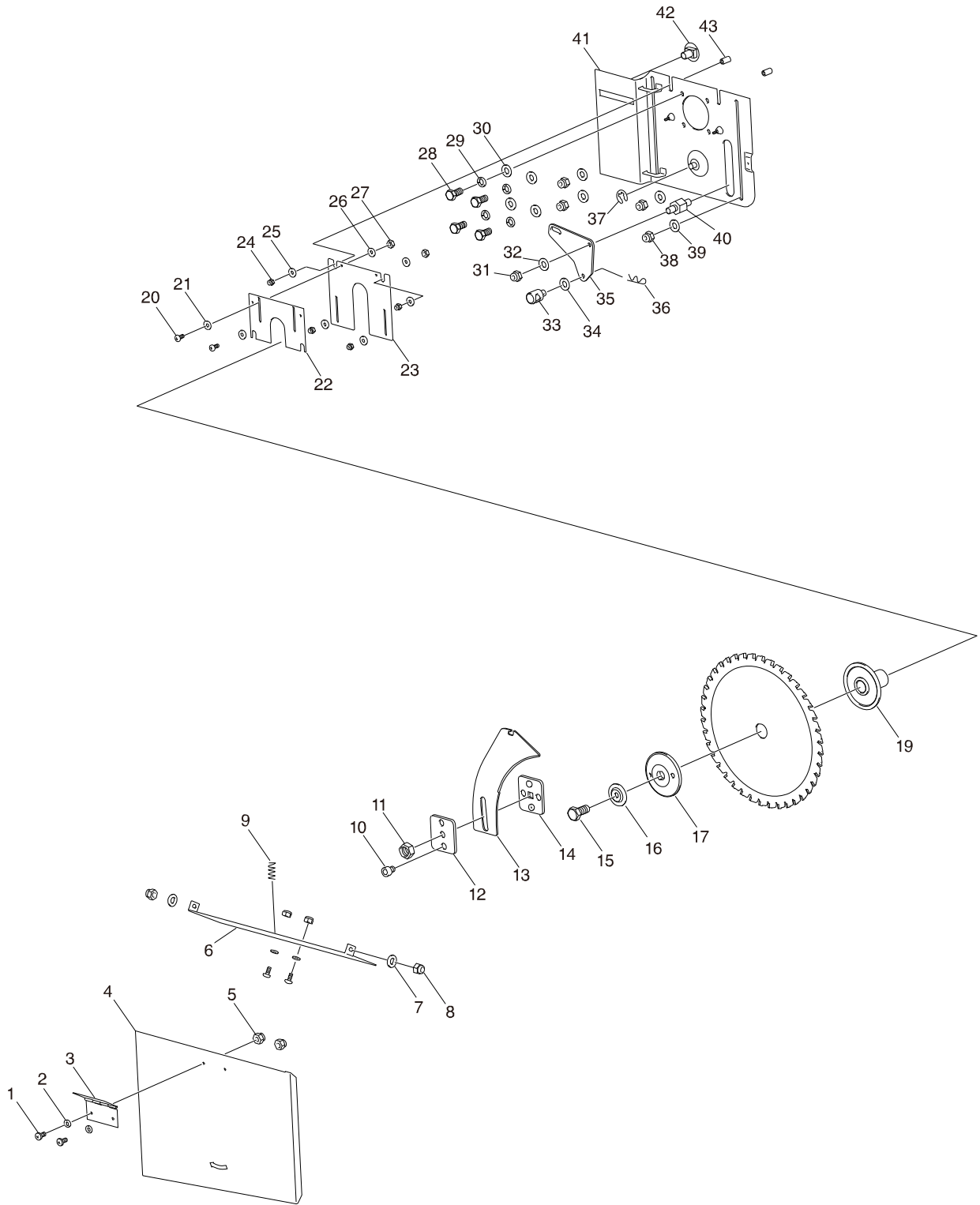
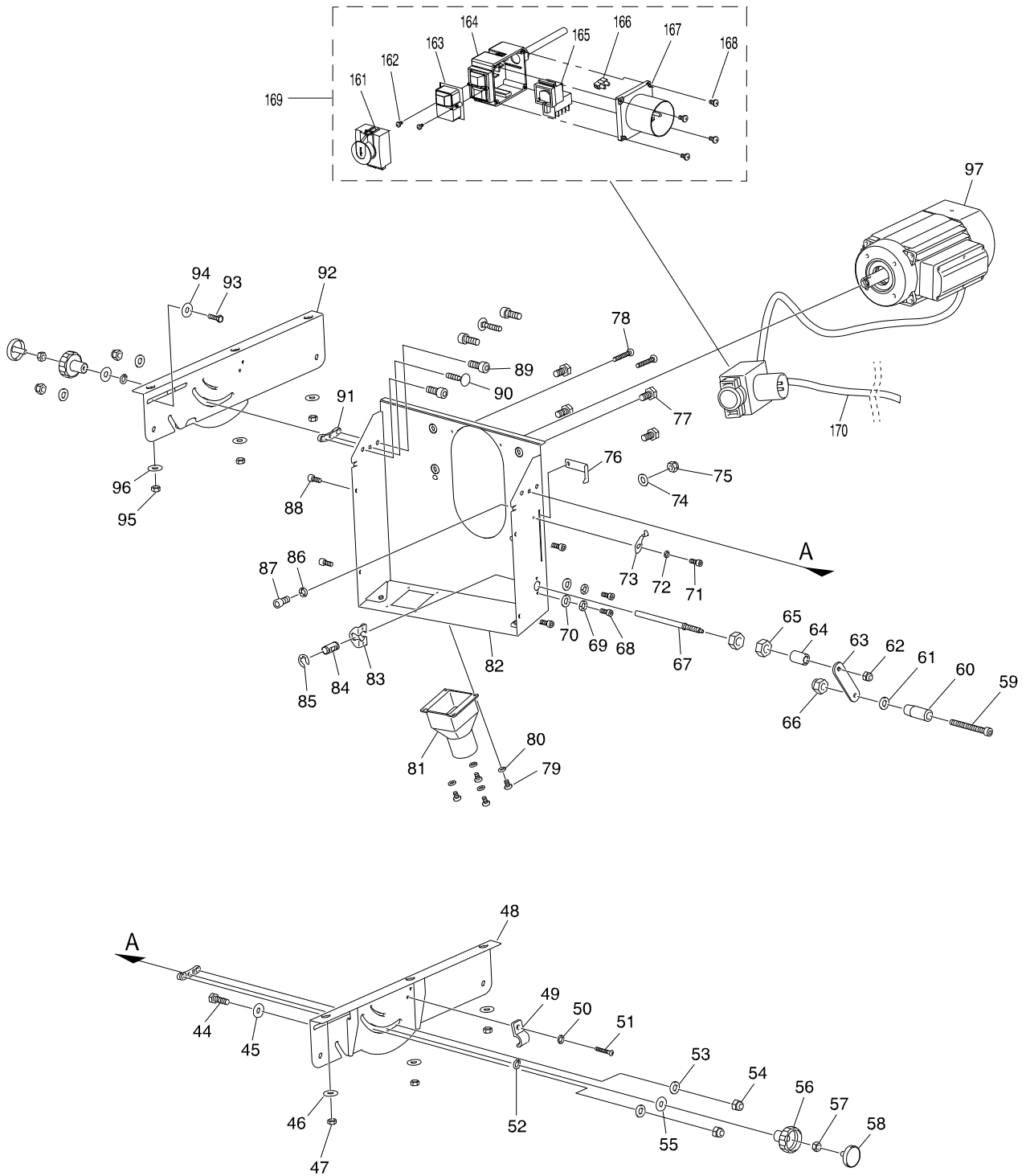


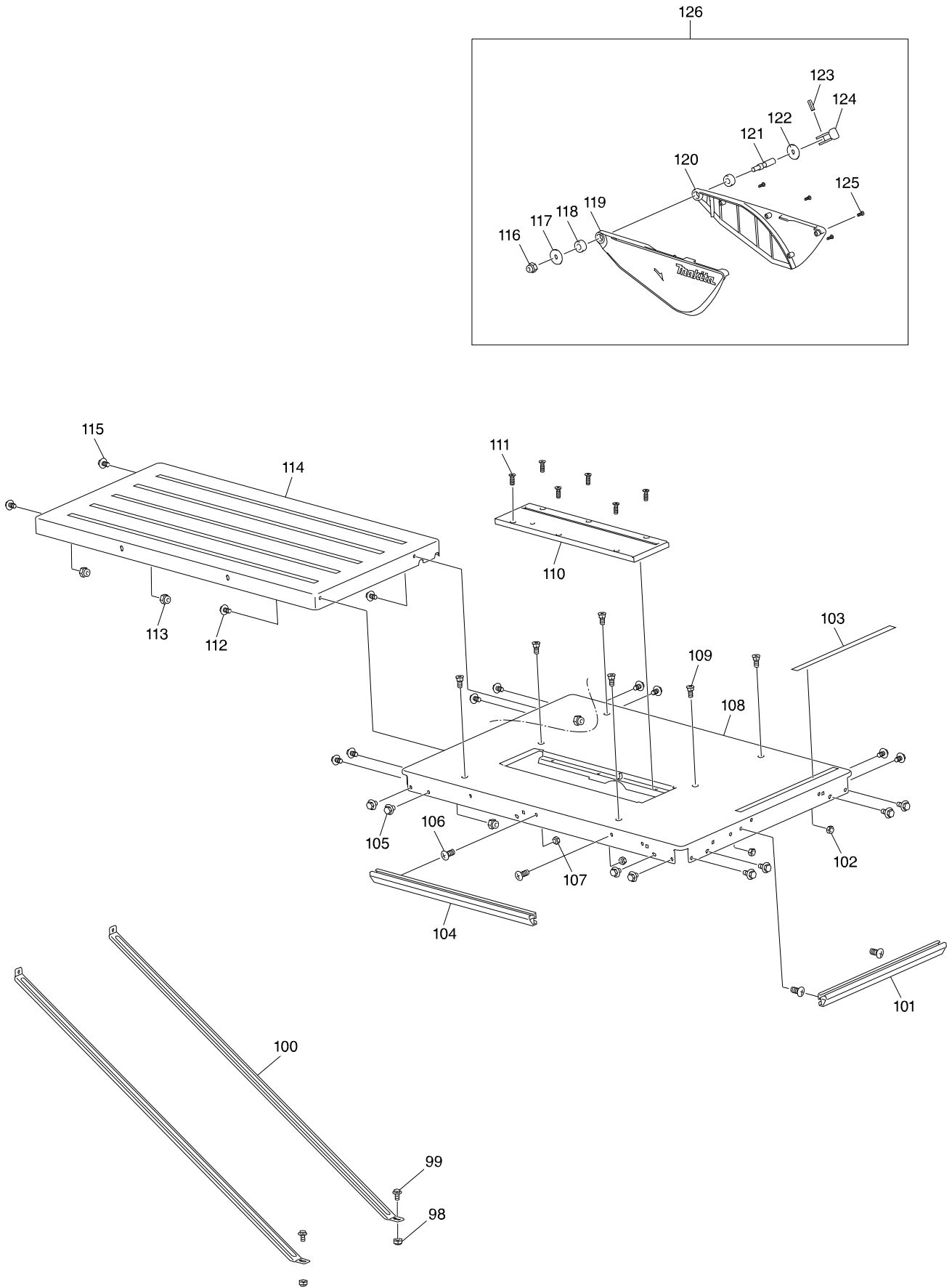
# Model No. 2712 315MM TABLE SAW



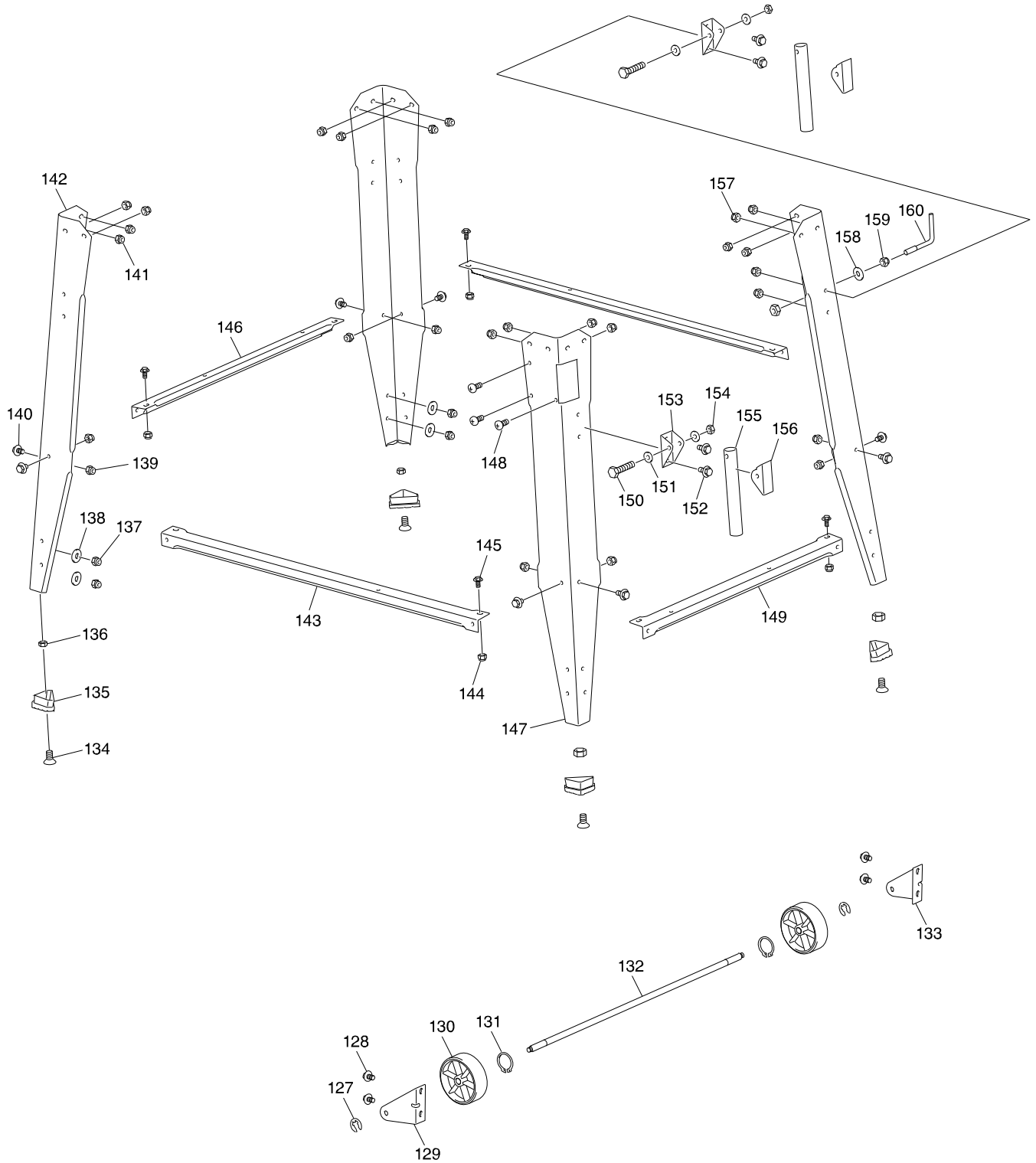
# Model No. 2712 315MM TABLE SAW



# Model No. 2712 315MM TABLE SAW



# Model No. 2712 315MM TABLE SAW



# Model No. 2712 315MM TABLE SAW

Item	Parts No.	Description	I/C	QTY	N/O	Opt. 1	Opt. 2	NOTE
001	JM27100031	CROSS HEAD SCREW M5		4				
002	JM27100032	FLAT WASHER 5		4				
003	JM27100033	HINGE		1				
004	JM27110001	COVER A COMPLETE		1				
C10	JM27180024	MAKITA LOGO LABEL		1				
005	JM27100111	LOCKNUT M5		4				
006	JM27100035	COVER B		1				
007	JM27100018	FLAT WASHER 6		2				
008	JM27100016	LOCKNUT M6		2				
009	JM27100036	SPRING		1				
010	JM27100104	HEX BOLT M6		1				
011	JM27100037	LOCKNUT M12		1				
012	JM27100038	RIVING KNIFE PRESS PLATE		1				
013	JM27100039	RIVING KNIFE		1				
014	JM27100040	FIX BRACKET		1				
015	JM27100041	HEX BOLT M10		1				
016	JM27100042	FLANGE WASHER 10		1				
017	JM27100043	OUTER FLANGE		1				
019	JM27100044	INNER FLANGE		1				
020	JM27100047	CROSS HEAD SCREW M4		2				
021	JM27100046	FLAT WASHER 4		2				
022	JM27100048	COVER		1				
023	JM27100049	SIDE PROTECTION		1				
024	JM27100045	LOCKNUT M4		4				
025	JM27100046	FLAT WASHER 4		4				
026	JM27100046	FLAT WASHER 4		2				
027	JM27100045	LOCKNUT M4		2				
028	JM27100050	HEX BOLT M8		4				
029	JM27100051	SPRING WASHER 8		4				
030	JM27100052	FLAT WASHER 8		4				
031	JM27100053	LOCKNUT M8		1				
032	JM27100054	FLAT WASHER 8		1				
033	JM27100055	ADJUSTING PIN		1				
034	JM27100106	FLAT WASHER 8		1				
035	JM27100057	ADJUSTING PLATE		1				
036	JM27100056	SPLITPIN 2		1				
037	JM27100025	E RING 10		1				
038	JM27100053	LOCKNUT M8		4				
039	JM27100052	FLAT WASHER 8		4				
040	JM27100058	DOUBLE THREAD BOLT		1				
041	JM27100072	LIFTING FRAME		1				
042	JM27100073	SQUARE NECK BOLT M12		1				
043	JM27100059	THREAD SLEEVE 4		2				
044	JM27100011	HEX BOLT M6		1				
045	JM27100018	FLAT WASHER 6		1				
046	JM27100018	FLAT WASHER 6		3				
047	JM27100016	LOCKNUT M6		3				
048	JM27100080	ANGLE SUPPORT PLATE A		1				

Item	Parts No.	Description	I/C	QTY	N/O	Opt. 1	Opt. 2	NOTE
049	JM27100078	CORD CLAMP		1				
050	JM27100032	FLAT WASHER 5		1				
051	JM27100031	CROSS HEAD SCREW M5		1				
052	JM27100079	E RING 5		2				
053	JM27100052	FLAT WASHER 8		4				
054	JM27100053	LOCKNUT M8		4				
055	JM27100018	FLAT WASHER 6		2				
056	JM27100077	KNOB LOW COVER		2				
057	JM27100108	HEX NUT M6		2				
058	JM27100076	KNOB UP COVER		2				
059	JM27100066	H.S.BOLT M8		1				
060	JM27100067	CRANK		1				
061	JM27100054	FLAT WASHER 8		1				
062	JM27100016	LOCKNUT M6		1				
063	JM27100068	LINK		1				
064	JM27100069	SLEEVE 9		1				
065	JM27100070	HEX NUT M10		2				
066	JM27100053	LOCKNUT M8		1				
067	JM27100071	LIFTING ADJUSTING ROD		1				
068	JM27100109	HEX BOLT M5		2				
069	JM27100065	SPRING WASHER 5		2				
070	JM27100032	FLAT WASHER 5		2				
071	JM27100109	HEX BOLT M5		1				
072	JM27100065	SPRING WASHER 5		1				
073	JM27100082	POINTER A		1				
074	JM27100054	FLAT WASHER 8		1				
075	JM27100020	HEX NUT M8		1				
076	JM27100083	POINTER B		1				
077	JM27100050	HEX BOLT M8		4				
078	JM27100107	CROSS HEAD SCREW M4		2				
079	JM27100031	CROSS HEAD SCREW M5		4				
080	JM27100032	FLAT WASHER 5		4				
081	JM27100063	DUST PORT		1				
082	JM27110002	FRAME COMPLETE		1				
C10	JM27180025	MAKITA LOGO LABEL		1				
083	JM27100062	ROD BRACKET		1				
084	JM27100061	AJUSTABLE BRACKET		1				
085	JM27100060	E RING 15		1				
086	JM27100065	SPRING WASHER 5		1				
087	JM27100109	HEX BOLT M5		1				
088	JM27100110	HEX BOLT M4		4				
089	JM27100074	PIN SCREW M8X20		4				
090	JM27100075	SQUARE NECK BOLT M6		2				
091	JM27100081	SLIDING BLOCK		2				
092	JM27100084	ANGLE SUPPORT PLATE B		1				
093	JM27100011	HEX BOLT M6		1				
094	JM27100018	FLAT WASHER 6		1				
095	JM27100016	LOCKNUT M6		3				

Item	Parts No.	Description	I/C	QTY	N/O	Opt. 1	Opt. 2	NOTE
096	JM27100018	FLAT WASHER 6		3				
097	JM27100001	MOTOR ASSY HV		1	*			
097-1	JM27100001	MOTOR ASSY HV	O	1				
C10	JM27100153	230V CIRCUIT BREAKER		1				
098	JM27100016	LOCKNUT M6		4				
099	JM27100131	HEX BOLT M6		2				
100	JM27100089	SUPPORT ROD		2				
101	JM27100101	MITER GAUGE RAIL A		1				
102	JM27100016	LOCKNUT M6		2				
103	JM27100100	SCALE LABEL		1				
104	JM27100085	MITER GAUGE RAIL B		1				
105	JM27100131	HEX BOLT M6		16				
106	JM27100086	CROSS HEAD SCREW M6X12		4				
107	JM27100016	LOCKNUT M6		2				
108	JM27110003	WORKING TABLE COMPLETE		1				
D10		INC. 103						
109	JM27100087	SPECIAL BOLT M6X10		6				
110	JM27100090	TABLE INSERT		1	*			
110-1	JM27100148	TABLE INSERT	<	1				
111	JM27100091	CROSS HEAD SUNK SCREW M5		6				
112	JM27100131	HEX BOLT M6		2				
113	JM27100016	LOCKNUT M6		2				
114	JM27100092	SIDE WORKING TABLE		1				
115	JM27100131	HEX BOLT M6		2				
116	JM27100016	LOCKNUT M6		1				
117	JM27100093	FLAT WASHER 6		1				
118	JM27100094	PRESS PLATE		2				
119	JM27100095	LEFT GUARD		1				
120	JM27100096	RIGHT GUARD		1				
121	JM27100097	CONNECTING BOLT		1				
122	JM27100103	FLAT WASHER 8		1				
123	JM27100099	SPRING PIN 4		1				
124	JM27100098	LOCK LEVER		1				
125	JM27100105	SELF TAPPING SCREW ST3.5		4				
126	JM27110004	GUARD ASSEMBLY		1				
D10		INC. 116-125						
127	JM27100009	E RING 10		2				
128	JM27100131	HEX BOLT M6		4				
129	JM27100010	WHEEL BRACKET B		1				
130	JM27100012	WHEEL		2				
131	JM27100102	E RING 12		2				
132	JM27100013	WHEEL SHAFT		1				
133	JM27100014	WHEEL BRACKET A		1				
134	JM27100022	CROSS HEAD SUNK SCREW M8		4				
135	JM27100021	SHOCK PAD		4				
136	JM27100020	HEX NUT M8		4				
137	JM27100016	LOCKNUT M6		4				
138	JM27100018	FLAT WASHER 6		4				

Item	Parts No.	Description	I/C	QTY	N/O	Opt. 1	Opt. 2	NOTE
139	JM27100016	LOCKNUT M6		8				
140	JM27100131	HEX BOLT M6		8				
141	JM27100016	LOCKNUT M6		16				
142	JM27100015	LEG B		3				
143	JM27100019	BEAM A		2				
144	JM27100016	LOCKNUT M6		4				
145	JM27100131	HEX BOLT M6		4				
147	JM27100024	LEG A		1				
148	JM27100023	SELF TAPPING SCREW ST4		3				
149	JM27100017	BEAM B		2				
150	JM27100029	HEX BOLT M8		2				
151	JM27100054	FLAT WASHER 8		4				
152	JM27100131	HEX BOLT M6		4				
153	JM27100028	HANDLE BRACKET I		2				
154	JM27100053	LOCKNUT M8		2				
155	JM27100027	HANDLE		2				
156	JM27100026	HANDLE BRACKET II		2				
157	JM27100016	LOCKNUT M6		4				
158	JM27100018	FLAT WASHER 6		1				
159	JM27100108	HEX NUT M6		2				
160	JM27100030	HOOK		1				
161	JM27100133	SWITCH COVER		1				
162	JM27100134	TAPPING SCREW ST3X12		2				
163	JM27100135	WATERPROOF COVER		1				
164	JM27100136	LOW COVER		1				
165	JM27100138	SWITCH HV		1				
166	JM27100140	TERMINAL POLE PA8		1				
167	JM27100141	UP COVER		1				
168	JM27100143	TAPPING SCREW ST4.2X18		4				
169	JM27100112	SWITCH HV (SEPARATE CORD)ASS'Y		1				
D10		INC. 161-168						
170	JM27100145	POWER SUPPLY CORD		1				
A01	JM27110005	MITER GAUGE ASSEMBLY		1				
D10		COMPO-PARTS						
A02	JM27100128	PUSH STICK		1				
A03	JM27170002	WRENCH		1				
A04	JM27170003	OPEN WRENCH		2				
A05	JM27100129	SIDE TABLE SUPPORT ROD		2				
A06	JM27100130	PUSH BLOCK		1				
A07	JM27170004	SPECIAL WRENCH		1				
A08	JM27170001	SAW BLADE		1	*			
A08-1	JM27170005	TIP SAW BLADE 315 SET	<	1				