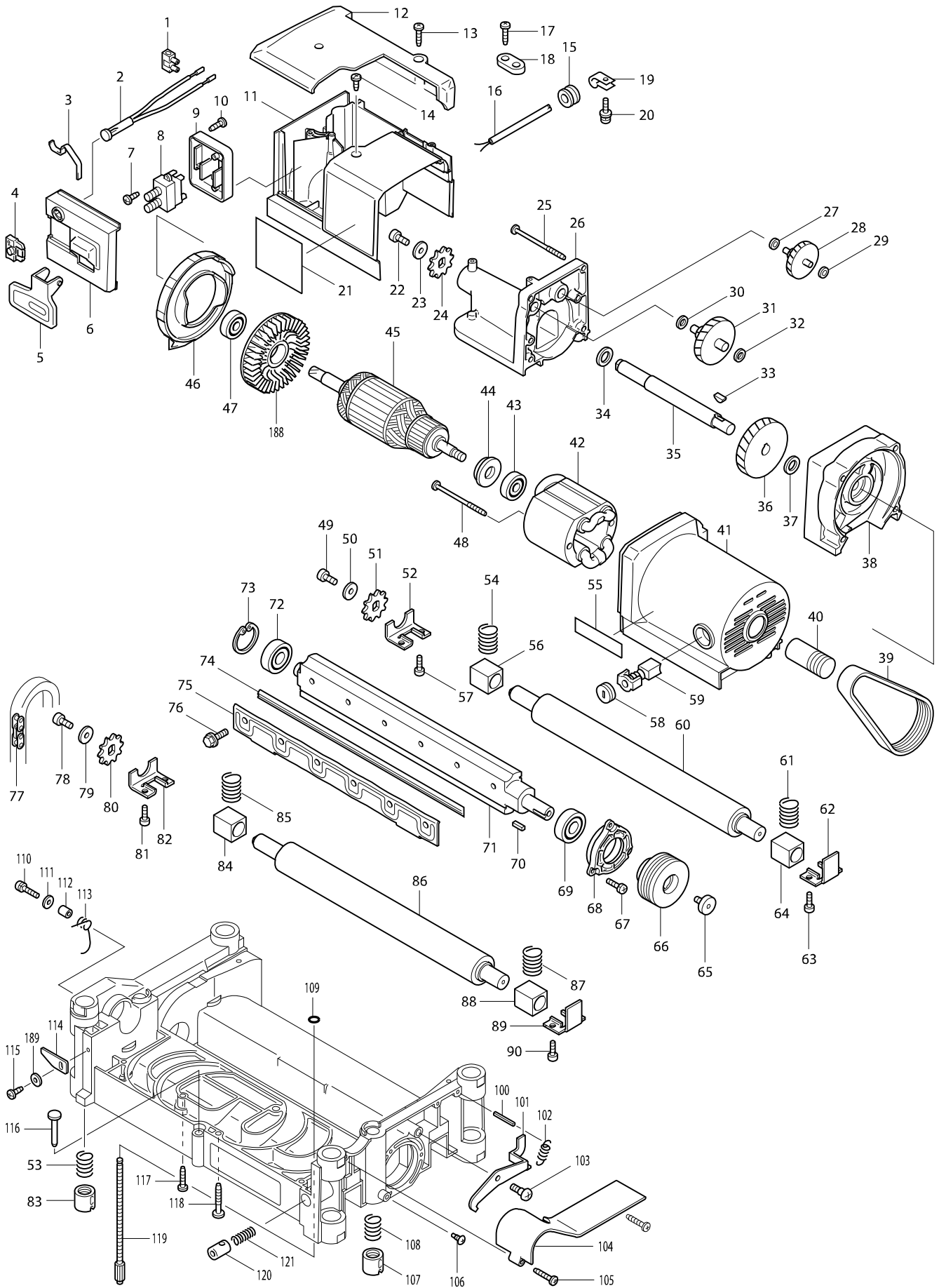
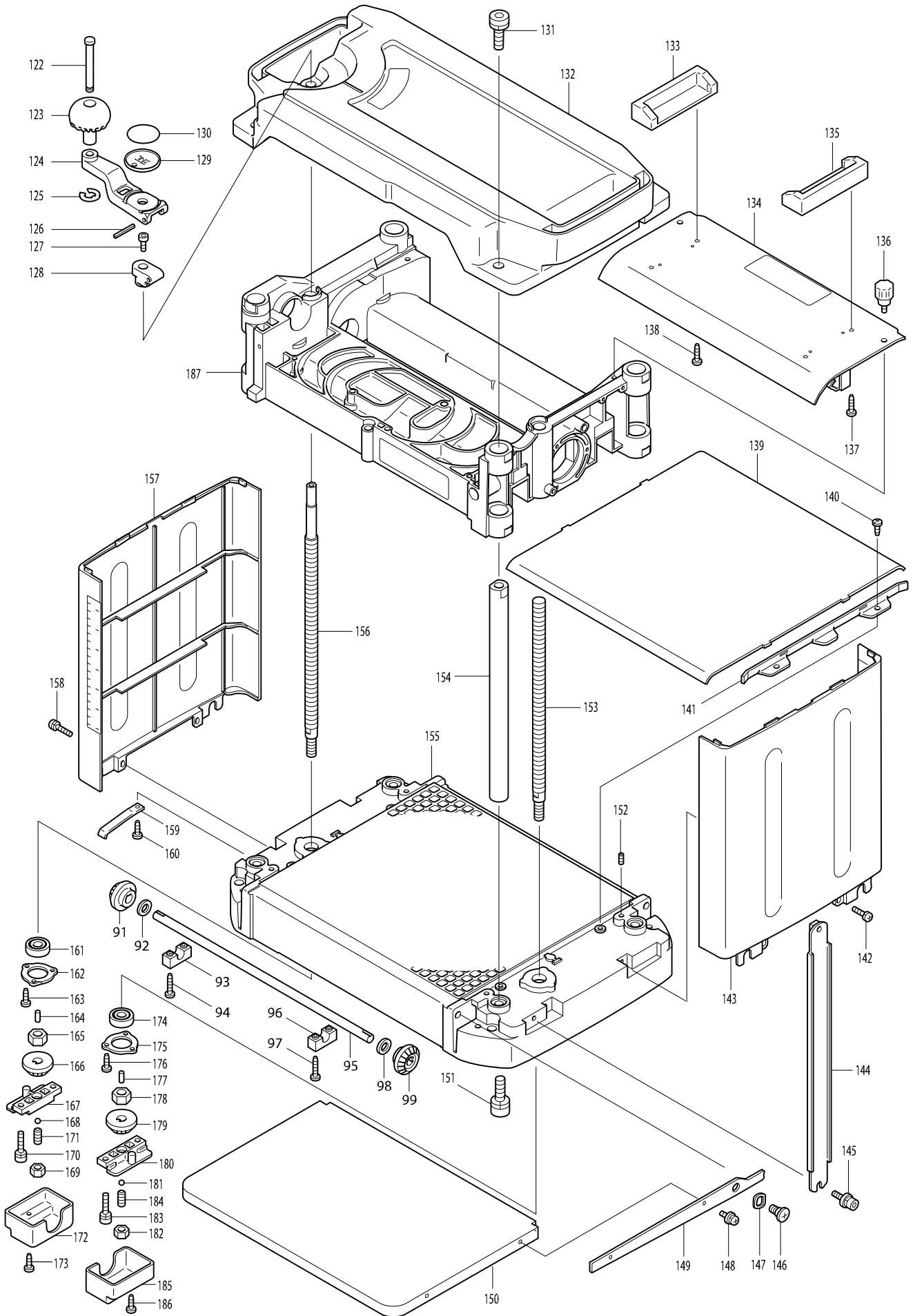


Model No. 2012NB PLANER 304MM



Model No. 2012NB PLANER 304MM



Item	Parts No.	Description	I/C	QTY	N/O	Opt. 1	Opt. 2	NOTE
001	654561-8	TERMINAL BLOCK		1				
002A_	631371-0	PILOT LAMP COMPLETE		1				
005	417031-6	SWITCH LEVER		1				
006	417037-4	SWITCH COVER		1				
007	265954-0	TAPPING SCREW BIND PT3X8		2				
008	651510-6	SWITCH ALA263		1	*			
008-1	651529-5	SWITCH ELE115AY	O	1				
009	417044-7	SWITCH BASE		1				
010	266192-7	TAPPING SCREW 4X14		3				
011	417041-3	SWITCH BOX		1				
012	417038-2	SWITCH BOX COVER		1				
013	265995-6	TAPPING SCREW 4X18		2				
014	266026-4	TAPPING SCREW BIND CT 4X12		2				
015	682539-1	GROMMET		1				
016	665865-3	POWER SUPPLY CORD 1.0-2-2.5		1				
017	265995-6	TAPPING SCREW 4X18		2				
018	687052-4	STRAIN RELIEF		1	*			
018-1	687124-5	STRAIN RELIEF	O	1				
019	687042-7	STRAIN RELIEF		1				
020-1	911128-8	PAN HEAD SCREW M4X16		1				
021	851968-1	NAME PLATE 2012NB		1				
022-1	922312-0	HEX. SOCKET HEAD BOLT M6X12		1				
023	267080-1	FLAT WASHER 6		1				
024	221525-3	SPROCKET 10		1				
025	266059-9	TAPPING SCREW 5X75		4				
026	151739-9	GEAR HOUSING COVER COMPLETE		1				
C10	214014-5	PLANE BEARING 6		1				
C20	214022-6	PLANE BEARING 8		1				
C30	214156-5	PLANE BEARING 14		1				
C40	256041-6	PIN 6		2				
027	253715-0	FLAT WASHER 6		1				
028	226134-3	GEAR COMPLETE 8-50		1				
029	253715-0	FLAT WASHER 6		1				
030	253215-0	FLAT WASHER 8		1				
031	226135-1	GEAR COMPLETE 8-46		1				
032	253215-0	FLAT WASHER 8		1				
033	254001-2	WOODRUFF KEY 4		1				
034	253760-5	FLAT WASHER 14		1				
035	323923-8	DRIVE SHAFT		1				
036	226518-5	HELICAL GEAR 47		1				
037	253744-3	FLAT WASHER 12		1				
038	151738-1	GEAR HOUSING COMPLETE		1				
C10	214014-5	PLANE BEARING 6		1				
C20	214022-6	PLANE BEARING 8		1				
C30	214109-4	PLANE BEARING 12		1				
039	225083-1	POLY V-BELT 8-341		1				
040	222155-3	V-PULLEY 8-23.5L		1				
041	151737-3	MOTOR HOUSING COMPLETE		1				

Item	Parts No.	Description	I/C	QTY	N/O	Opt. 1	Opt. 2	NOTE
C10	643653-8	BRUSH HOLDER 6.5-13.5		2				
042B_	526104-5	FIELD ASS'Y 230-240V		1				
C10	654020-2	RING TERMINAL		2				
C20	654502-4	CONNECTOR P-2		2				
043	211087-9	BALL BEARING 6200DDW		1				
044	681623-9	INSULATION WASHER		1				
045B_	516813-4	ARMATURE ASS'Y 220-240V		1				
D10		INC. 43,44,47,188						
046	417033-2	BAFFLE PLATE		1				
047	211087-9	BALL BEARING 6200DDW		1				
048	266059-9	TAPPING SCREW 5X75		2				
049-1	922312-0	HEX. SOCKET HEAD BOLT M6X12		1				
050	267080-1	FLAT WASHER 6		1				
051	221525-3	SPROCKET 10		1				
052	343844-8	METAL COVER (B)		1				
053	233016-2	COMPRESSION SPRING 15		1				
054	231459-2	COMPRESSION SPRING 13		1				
055	819064-1	MAKITA MARK		1				
056	214251-1	PLANE BEARING 17		1				
057	922221-3	HEX. SOCKET HEAD BOLT M5X16		2				
058	643650-4	BRUSH HOLDER CAP 6.5-13.5		2	*			
058-1	643650-4	BRUSH HOLDER CAP 6.5-13.5	O	2				
059A_	181044-0	CARBON BRUSH CB-153		1				
060	162216-6	ROLLER 34-295		1				
061	231459-2	COMPRESSION SPRING 13		1				
062	341685-6	METAL COVER (A)		1				
063	922221-3	HEX. SOCKET HEAD BOLT M5X16		2				
064	214251-1	PLANE BEARING 17		1				
065	265854-4	HEX. SOCKET HEAD BOLT M6X12		1				
066	222154-5	V-PULLEY 8-54		1				
067	911128-8	PAN HEAD SCREW M4X16		3				
068	317259-5	BEARING BOX		1				
069	211206-7	BALL BEARING 6202LLB		1				
070	254204-8	KEY 4		1				
071	323928-8	DRUM		1				
072	211206-7	BALL BEARING 6202LLB		1				
073	962153-2	RETAINING RING R-35		1				
074	793346-8	PLANER BLADE 306		1				
075	343682-8	SET PLATE		2				
076	251609-3	HEX. FLANGE HEAD BOLT M6X17		12				
077	225520-5	CHAIN 35-46		1				
078-1	922312-0	HEX. SOCKET HEAD BOLT M6X12		1				
079	267080-1	FLAT WASHER 6		1				
080	221525-3	SPROCKET 10		1				
081	922221-3	HEX. SOCKET HEAD BOLT M5X16		2				
082	343844-8	METAL COVER (B)		1				
083	252426-4	NUT M14		1				
084	214251-1	PLANE BEARING 17		1				

Item	Parts No.	Description	I/C	QTY	N/O	Opt. 1	Opt. 2	NOTE
085	231459-2	COMPRESSION SPRING 13		1				
086	162216-6	ROLLER 34-295		1				
087	231459-2	COMPRESSION SPRING 13		1				
088	214251-1	PLANE BEARING 17		1				
089	341685-6	METAL COVER (A)		1				
090	922221-3	HEX. SOCKET HEAD BOLT M5X16		2				
091	226786-0	STRAIGHT BEVEL GEAR 15		1				
092	253828-7	FLAT WASHER 10		1				
093	417034-0	SHAFT RETAINER		1				
094	266040-0	TAPPING SCREW CT 4X25		2				
095	323926-2	SHAFT 10		1				
096	417034-0	SHAFT RETAINER		1				
097	266040-0	TAPPING SCREW CT 4X25		2				
098	253828-7	FLAT WASHER 10		1				
099	226786-0	STRAIGHT BEVEL GEAR 15		1				
100	951122-8	SPRING PIN 4-28		1				
101	344815-8	LOCK PLATE		1				
102	231793-0	TENSION SPRING 5		1				
103	251283-7	+ PAN HEAD SCREW M5		1				
104	417035-8	BELT COVER		1				
105	266040-0	TAPPING SCREW CT 4X25		2				
106	251322-3	+ PAN HEAD SCREW M5X12		2				
107	252427-2	NUT M14L		1				
108	233016-2	COMPRESSION SPRING 15		1				
109	213009-5	O RING 4		1				
110	911233-1	PAN HEAD SCREW M5X20		1				
111	253194-2	FLAT WASHER 5		1				
112	257600-9	SLEEVE 6		1				
113	231588-1	TORSION SPRING 9		1				
114	344068-9	POINTER		1				
115	266026-4	TAPPING SCREW BIND CT 4X12		1				
116	322229-1	GAUGE		1				
117	266040-0	TAPPING SCREW CT 4X25		2				
118	266173-1	TAPPING SCREW 5X30		2				
119	265736-0	SCREW M6X135		1				
120	323927-0	HALF NUT		1				
121	231226-5	COMPRESSION SPRING 11		1				
122	256688-6	PIN 8		1				
123	271296-2	KNOB 45		1				
124-1	272028-0	HANDLE 160		1				
125	961012-7	STOP RING E-6		1				
126	951122-8	SPRING PIN 4-28		1				
127	266086-6	HEX. SOCKET HEAD BOLT M5X16		1				
128-1	317760-0	JOINT		1				
129	417032-4	GAUGE		1				
130A_	816358-5	SCALE LABEL		1				
131	266240-2	HEX. SOCKET HEAD BOLT M10X25		4				
132-1	153781-6	TOP COVER COMPLETE		1				

Item	Parts No.	Description	I/C	QTY	N/O	Opt. 1	Opt. 2	NOTE
C10	816359-3	INDICATION LABEL		1				
C20	817737-0	CAUTION LABEL		1				
133	417036-6	TOOL BOX HOLDER		1				
134-1	165379-7	CHIP COVER		1				
135	417036-6	TOOL BOX HOLDER		1				
136	265716-6	SCREW M5X10		2				
137	265995-6	TAPPING SCREW 4X18		2				
138	265995-6	TAPPING SCREW 4X18		2				
139	344816-6	TABLE PLATE		1				
140	266026-4	TAPPING SCREW BIND CT 4X12		4				
141	344819-0	GUIDE PLATE		2				
142	911128-8	PAN HEAD SCREW M4X16		2				
143	417040-5	SIDE COVER		1				
144	344820-5	SIDE BEAM		2				
145	922323-5	HEX.SOCKET HEAD BOLT M6X16		4				
146	251217-0	+ BINDING HEAD SCREW M8		4				
147	253932-2	WAVE WASHER 10		4				
148	911108-4	PAN HEAD SCREW M4X8		8				
149	344818-2	ARM		4				
150	344817-4	SUB TABLE PLATE		2				
151	266240-2	HEX. SOCKET HEAD BOLT M10X25		4				
152	266213-5	H.S.SET SCREW(FLAT POINT)M5X12		4				
153	323925-4	SCREW L		1				
154	331562-0	COLUMN 20		4				
155-1	317763-4	TABLE		1				
156	323924-6	SCREW R		1				
157	151886-6	SIDE COVER COMPLETE		1				
C10	816354-3	SCALE LABEL		1				
158	911128-8	PAN HEAD SCREW M4X16		2				
159	232195-3	LEAF SPRING		2				
160	266026-4	TAPPING SCREW BIND CT 4X12		2				
161	211088-7	BALL BEARING 6000DDW		1				
162	285698-6	BEARING RETAINER 33		1				
163	266026-4	TAPPING SCREW BIND CT 4X12		3				
164	256226-4	PIN 4		1				
165	252164-8	HEX.NUT M10-17		1				
166	226791-7	STRAIGHT BEVEL GEAR 15		1				
167	317260-0	SUPPORTER		1				
168	216011-7	STEEL BALL 5.6		1				
169	931403-6	HEX. NUT M8		1				
170	922231-0	HEX. SOCKET HEAD BOLT M5X20		2				
171	265846-3	H.S.SET SCREW(CUP POINT)M8X16		1				
172	417030-8	GEAR COVER		1				
173	266026-4	TAPPING SCREW BIND CT 4X12		1				
174	211088-7	BALL BEARING 6000DDW		1				
175	285698-6	BEARING RETAINER 33		1				
176	266026-4	TAPPING SCREW BIND CT 4X12		3				
177	256226-4	PIN 4		1				

